

STEREO AMPLIFIER

AX-496/396

SERVICE MANUAL

AX-496/396

IMPORTANT NOTICE

This manual has been provided for the use of authorized YAMAHA Retailers and their service personnel. It has been assumed that basic service procedures inherent to the industry, and more specifically YAMAHA Products, are already known and understood by the users, and have therefore not been restated.

WARNING: Failure to follow appropriate service and safety procedures when servicing this product may result in personal injury, destruction of expensive components, and failure of the product to perform as specified. For these reasons, we advise all YAMAHA product owners that any service required should be performed by an authorized YAMAHA Retailer or the appointed service representative.

IMPORTANT: The presentation or sale of this manual to any individual or firm does not constitute authorization, certification or recognition of any applicable technical capabilities, or establish a principle-agent relationship of any form.

The data provided is believed to be accurate and applicable to the unit(s) indicated on the cover. The research, engineering, and service departments of YAMAHA are continually striving to improve YAMAHA products. Modifications are, therefore, inevitable and specifications are subject to change without notice or obligation to retrofit. Should any discrepancy appear to exist, please contact the distributor's Service Division.

WARNING: Static discharges can destroy expensive components. Discharge any static electricity your body may have accumulated by grounding yourself to the ground buss in the unit (heavy gauge black wires connect to this buss).

IMPORTANT: Turn the unit OFF during disassembly and part replacement. Recheck all work before you apply power to the unit.

■ CONTENTS

SPECIFICATIONS	1	ADJUSTMENTS	7
TO SERVICE PERSONNEL	2	BLOCK DIAGRAM	8
REMOTE CONTROL PANEL	2	μ-COM DATA	9
IMPEDANCE SELECTOR	2	PRINTED CIRCUIT BOARD	10~25
FRONT PANELS	3	SCHEMATIC DIAGRAM	26~29
REAR PANELS	3	PARTS LIST	30~47
INTERNAL VIEW	6	REMOTE CONTROL TRANSMITTER	48
DISASSEMBLY PROCEDURES	6		



このサービスマニュアルは、エコマーク認定の再生紙を使用しています。
This Service Manual uses recycled paper.

100702



YAMAHA
YAMAHA CORPORATION
P.O.Box 1, Hamamatsu, Japan

■ SPECIFICATIONS

■ Power Section

Minimum RMS Output Power	
8Ω, 20Hz to 20kHz, 0.019% THD	
AX-496	85W+85W
AX-396	60W+60W
Maximum Output Power (EIAJ)	
1kHz, 10% THD	
AX-496 8Ω/6Ω	130W / 150W
AX-396 6Ω	110W
Dynamic Power (IHF)	
8/6/4/2Ω	
AX-496	130/150/185/220W
AX-396	100/120/140/150W
DIN Standard Output Power	
4Ω, 1kHz, 0.7% THD	
AX-496	120W
AX-396	95W
IEC Output Power	
8Ω, 1kHz, 0.019% THD	
AX-496	100W
AX-396	75W
Power Band Width	
8Ω, Half power, 0.04% THD	10Hz to 50kHz
Damping Factor	
8Ω, 20Hz to 20kHz	240
Frequency Response	
20Hz to 20kHz	0±0.5dB
Total Harmonic Distortion (20Hz to 20kHz)	
CD/DVD to SP OUT (8Ω, Half power)	0.008%
Signal to Noise Ratio (IHF-A-Network)	
CD/DVD (Input Shorted, CD/DVD DIRECT AMP ON)	110dB
PHONO (Input Shorted)	88dB
Residual Noise (IHF-A-Network)	
CD/DVD DIRECT AMP ON	35μV
■ Control Section	
Input Sensitivity / Impedance	
CD/DVD etc.	150mV / 47kΩ
PHONO	2.5mV / 47kΩ
Output Level / Impedance	
REC OUT	150mV / 1.6kΩ
Headphone Jack Rated Output / Impedance	
	0.25V / 680Ω
Channel Separation	
CD/DVD (Input 5.1kΩ Terminated) 1kHz/10kHz	65 / 50dB
Tone Control Characteristics	
BASS	±10dB (20Hz)
TREBLE	±10dB (20kHz)
Continuous Loudness Control	
Attenuation	-30dB (1kHz)

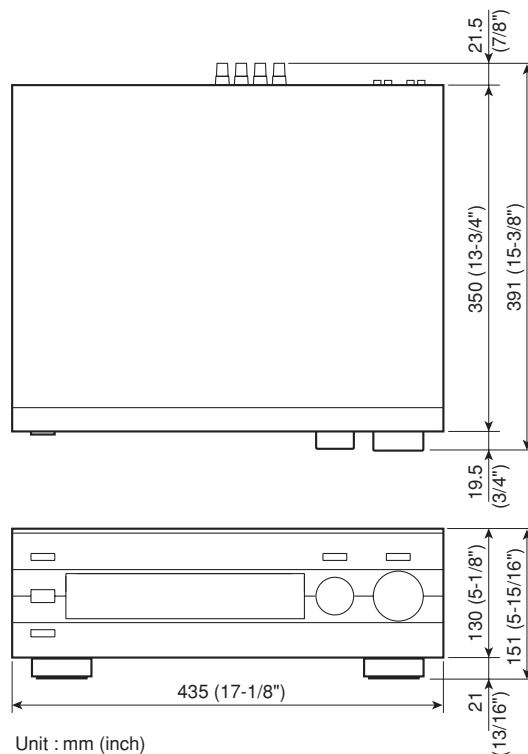
■ General

Power Supply	
R, T models	AC110/120/220/240V, 50/60Hz
A model	AC240V, 50Hz
B, G models	AC230V, 50Hz
Power Consumption	
AX-496	Approx. 210W
AX-396	Approx. 150W
AC Outlets (Switched)	
R, T, G models	100W Max x 3
A, B models	100W Max x 1
Dimensions (W x H x D)	
	435 x 151 x 391mm (17-1/8" x 5-15/16" x 15-3/8")
Weight	
AX-496	9.5 kg (21lbs)
AX-396	8.7 kg (19lbs 3oz)
Accessories	
	Remote Control Transmitter Batteries
Color	
	Gold / Black / Titan


* Specifications subject to change without notice.

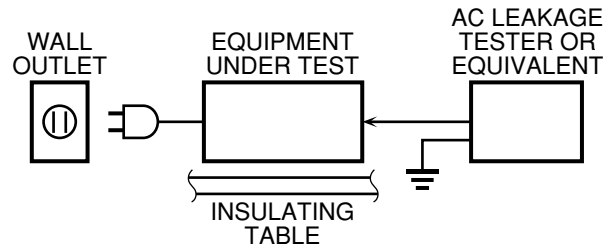
R General model T China model
 A Australia model B British model
 G European model

• DIMENSIONS



■ TO SERVICE PERSONNEL

1. Critical Components Information.
Components having special characteristics are marked  and must be replaced with parts having specifications equal to those originally installed.
2. Leakage Current Measurement (For 120V Models Only).
When service has been completed, it is imperative to verify that all exposed conductive surfaces are properly insulated from supply circuits.
 - Meter impedance should be equivalent to 1500 ohm shunted by 0.15 μ F.
 - Leakage current must not exceed 0.5mA.
 - Be sure to test for leakage with the AC plug in both polarities.



WARNING: CHEMICAL CONTENT NOTICE!

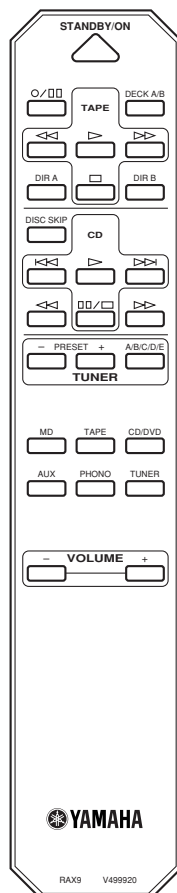
The solder used in the production of this product contains LEAD. In addition, other electrical/electronic and /or plastic (where applicable) components may also contain traces of chemicals found by the California Health and Welfare Agency (and possibly other entities) to cause cancer and/or birth defects or other reproductive harm.

DO NOT PLACE SOLDER, ELECTRICAL/ELECTRONIC OR PLASTIC COMPONENTS IN YOUR MOUTH FOR ANY REASON WHATSOEVER!

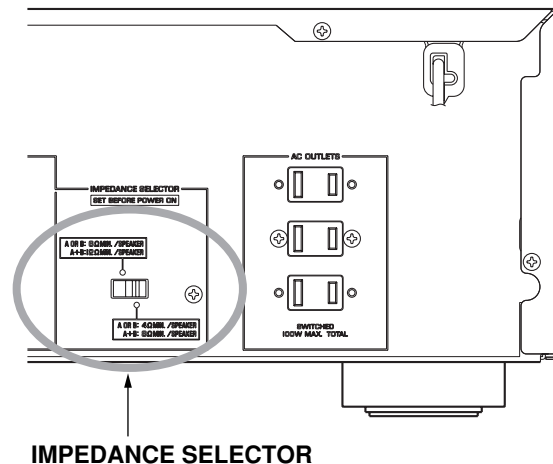
Avoid prolonged, unprotected contact between solder and your skin! When soldering, do not inhale solder fumes or expose eyes to solder/flux vapor!

If you come in contact with solder or components located inside the enclosure of this product, wash your hands before handling food.

■ REMOTE CONTROL PANEL



■ IMPEDANCE SELECTOR



WARNING:

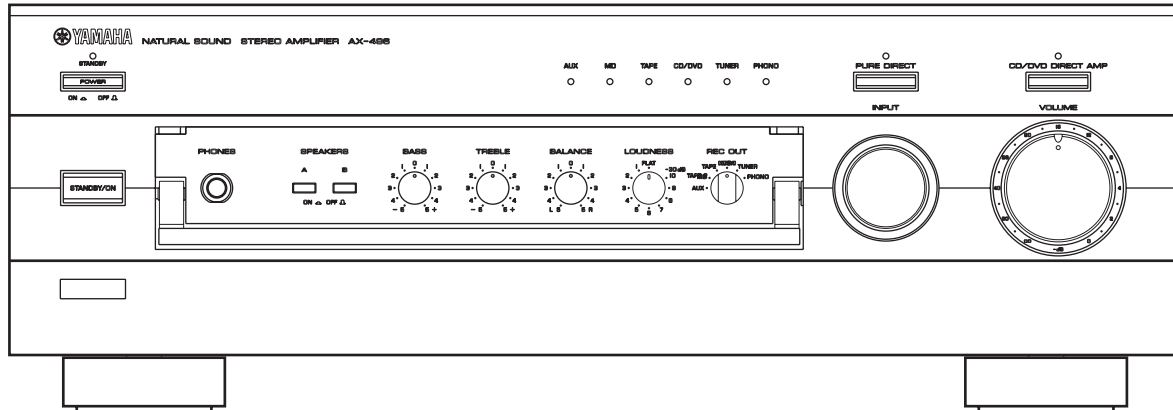
Do not change the IMPEDANCE SELECTOR switch setting while the power to this unit is on, otherwise this unit may be damaged.

ご注意:

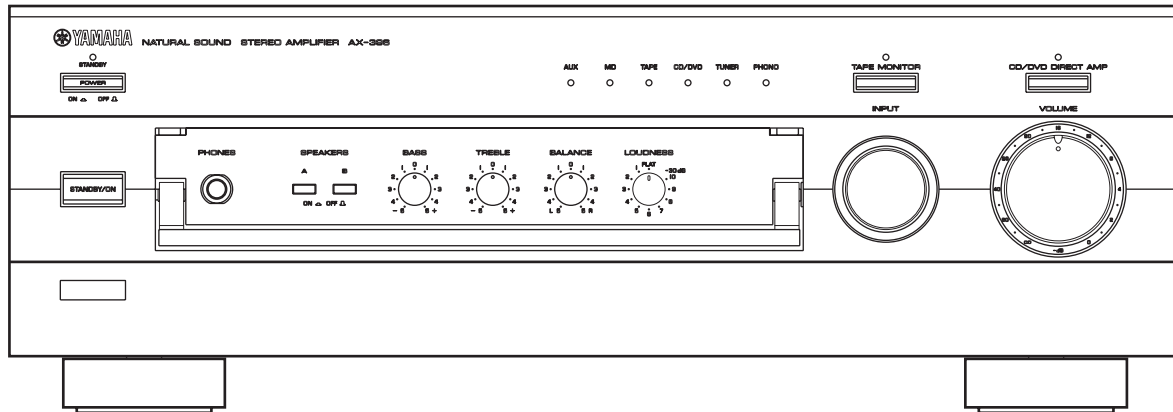
インピーダンスセレクトターの切り換えは、必ず電源を切ってから行ってください。
電源を入れたまま行くと、故障の原因となります。

FRONT PANELS

▼AX-496

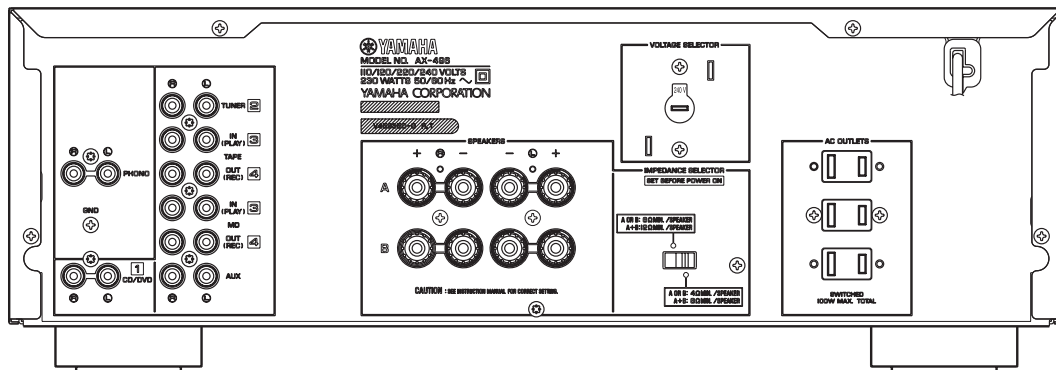


▼AX-396

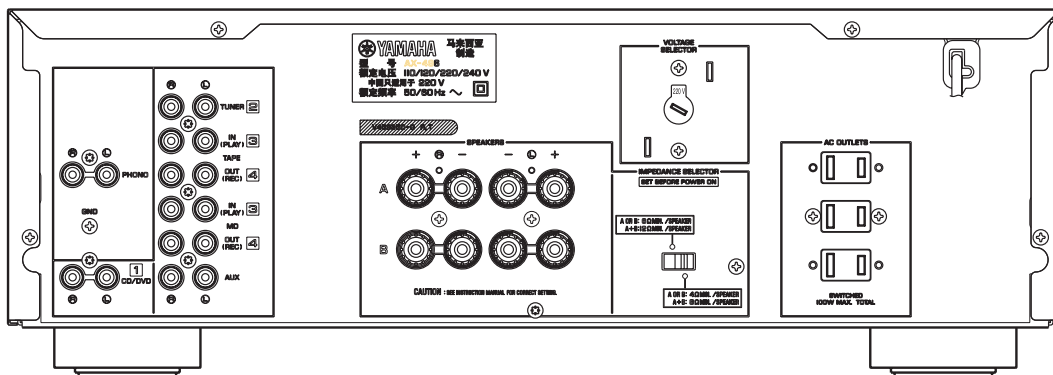


REAR PANELS (AX-496)

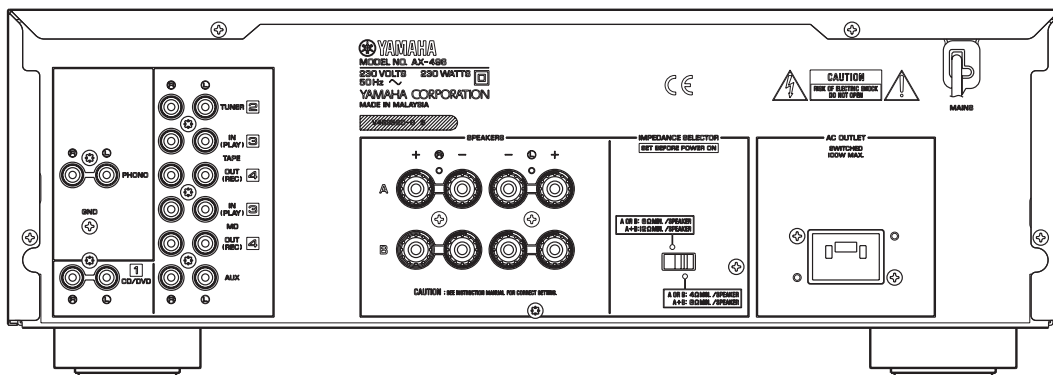
R model



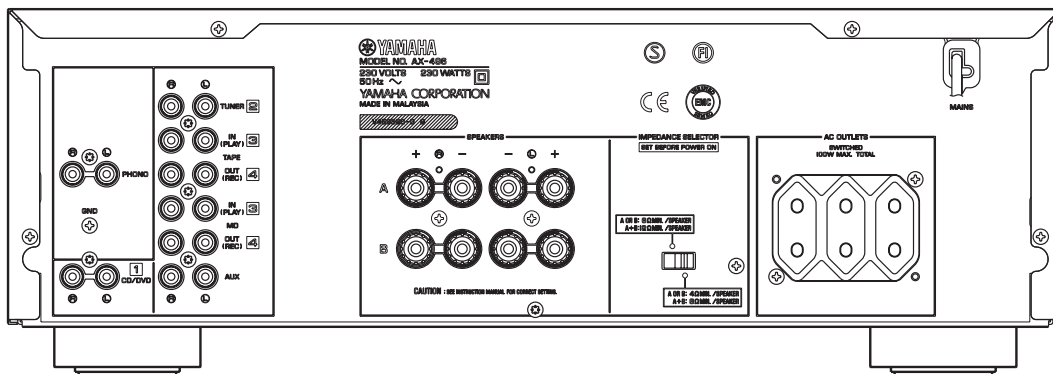
T model



B model

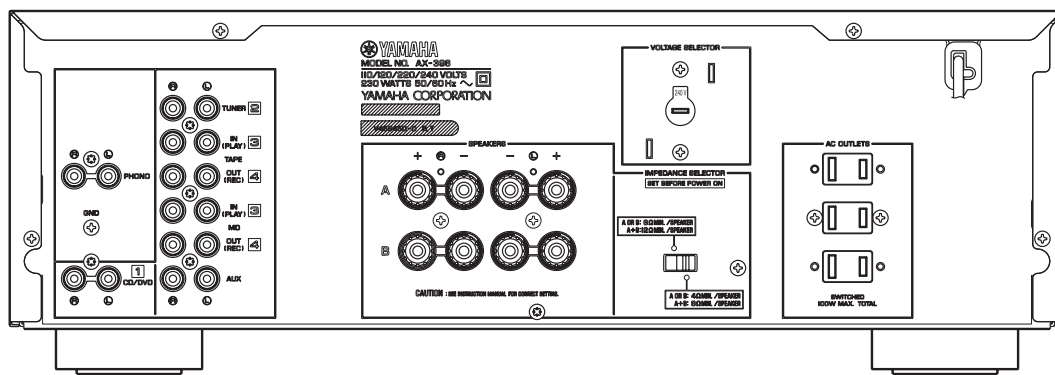


G model

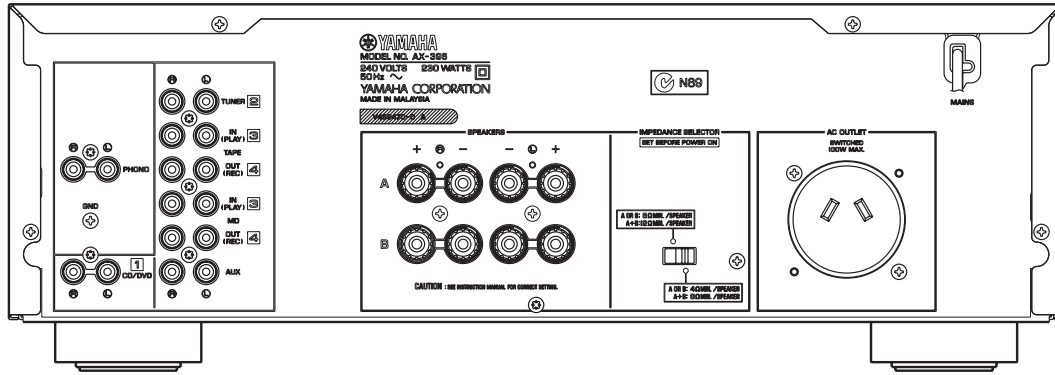


REAR PANELS (AX-396)

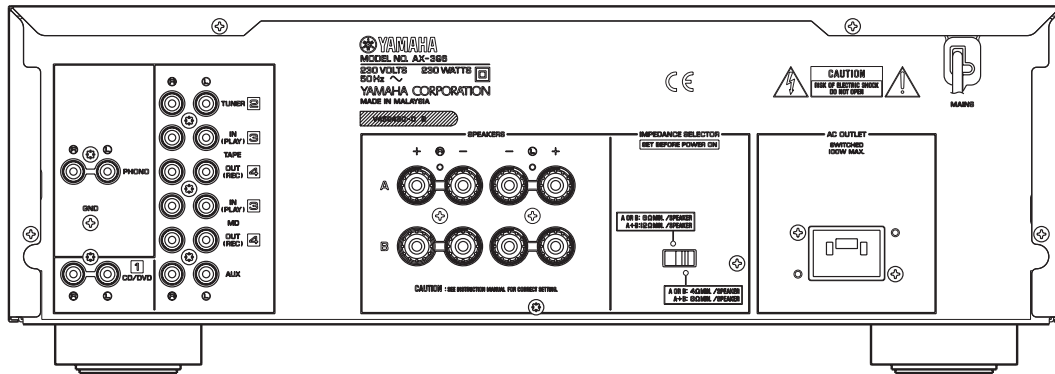
R model



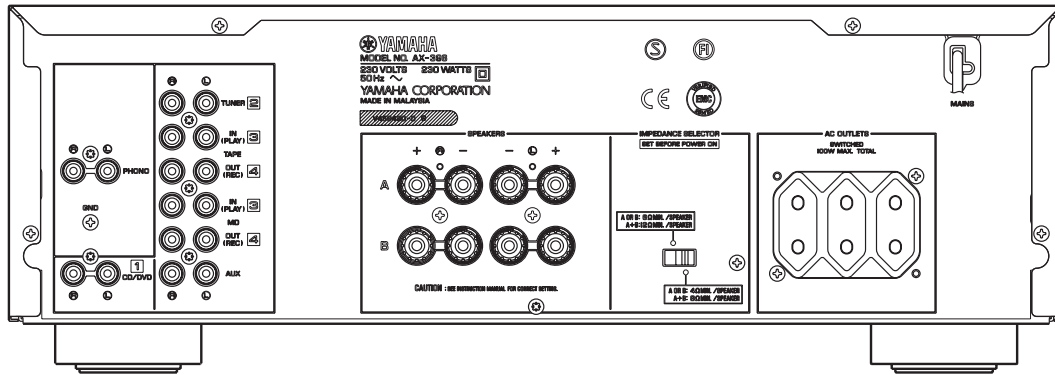
A model



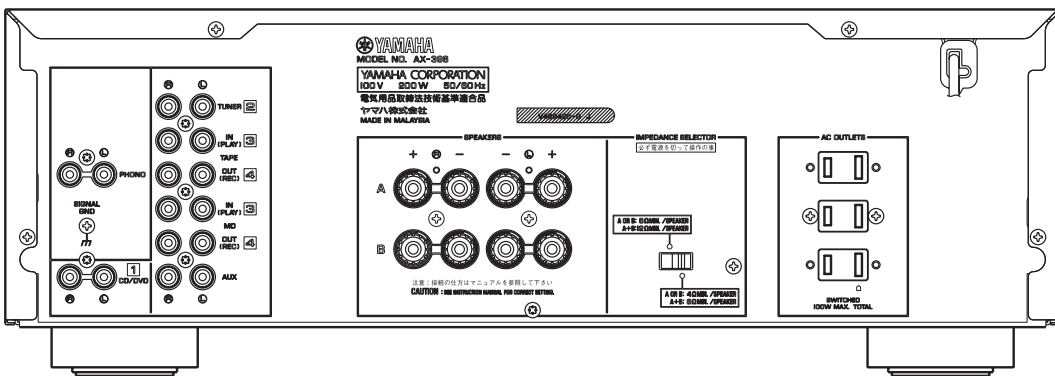
B model



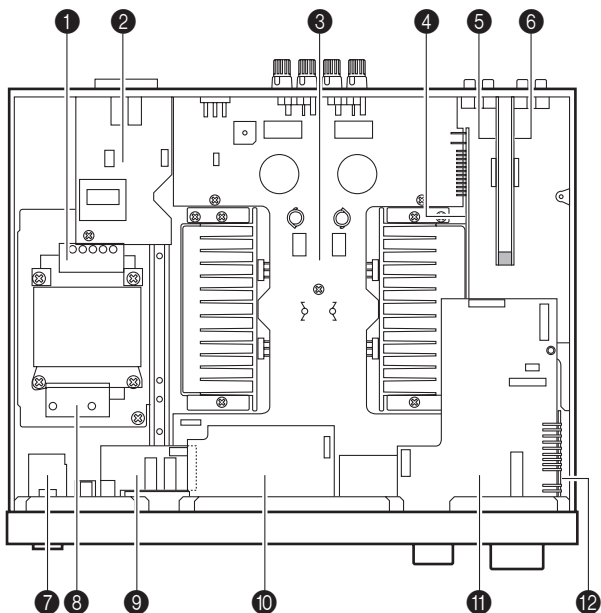
G model



J model



INTERNAL VIEW



- ① AX-496: MAIN P.C.B. (6) / AX-396: MAIN P.C.B. (7)
- ② MAIN P.C.B. (2)
- ③ MAIN P.C.B. (1)
- ④ MAIN P.C.B. (3)
- ⑤ FUNCTION P.C.B. (4)
- ⑥ FUNCTION P.C.B. (5)
- ⑦ MAIN P.C.B. (9)
- ⑧ MAIN P.C.B. (8)
- ⑨ FUNCTION P.C.B. (7)
- ⑩ FUNCTION P.C.B. (6)
- ⑪ FUNCTION P.C.B. (1)
- ⑫ FUNCTION P.C.B. (2)

DISASSEMBLY PROCEDURES

(Remove parts in the order as numbered.)

1. Removal of Top Cover

Remove 4 screws (①) and 4 screws (②) in Fig. 1.

2. Removal of Front Panel

a. Remove 6 screws (③) in Fig. 1.

3. Checking and Parts Replacement of MAIN P.C.B. (1)

- a. Disconnect the power cord from the AC outlet.
- b. Remove 3 screws (④) attaching the Speaker terminal and Impedance Selector in Fig. 1.
- c. Remove 2 screws (⑤) and remove 1 plastic rivet (⑥) in Fig. 1, then remove the Sub Chassis.
- d. Remove 4 screws (⑦) in Fig. 1, then remove the MAIN P.C.B. (1) with Heat Sink and Chassis.

(分解は番号順に行ってください。)

1. トップカバーの外し方

①のネジ4本と②のネジ4本を外す。(Fig. 1)

2. フロントパネルの外し方

a. ③のネジ6本を外す。(Fig. 1)

3. MAIN P.C.B. (1)のチェックと部品交換

- a. 電源コードを抜く。
- b. スピーカーターミナルとインピーダンスセレクターを止めている④のネジ3本を外す。
- c. ⑤のネジ2本と⑥のプラスチックリベット1本を外し、サブシャーシを取り外す。
- d. ⑦のネジ4本を外し、ヒートシンク・シャーシと共に MAIN P.C.B. (1)を取り外す。

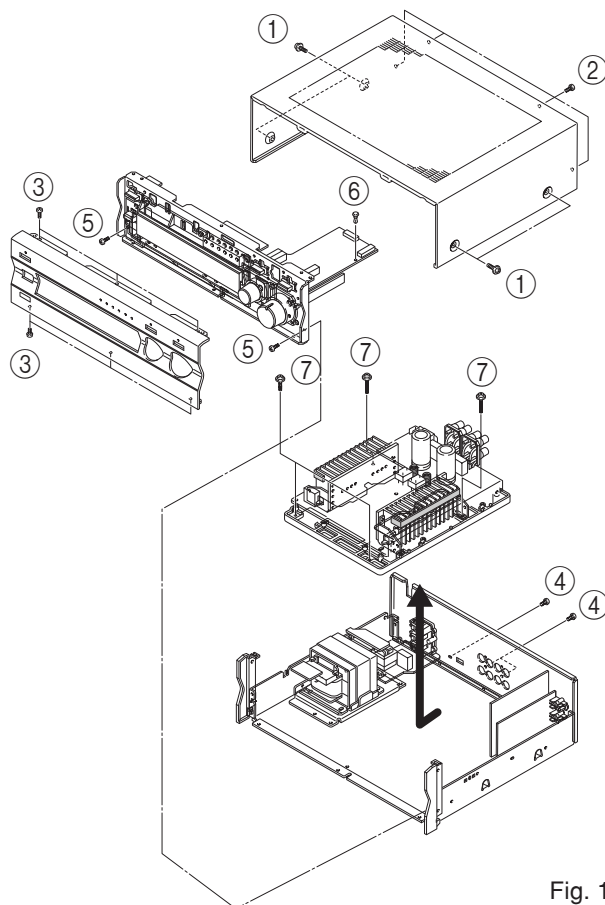


Fig. 1

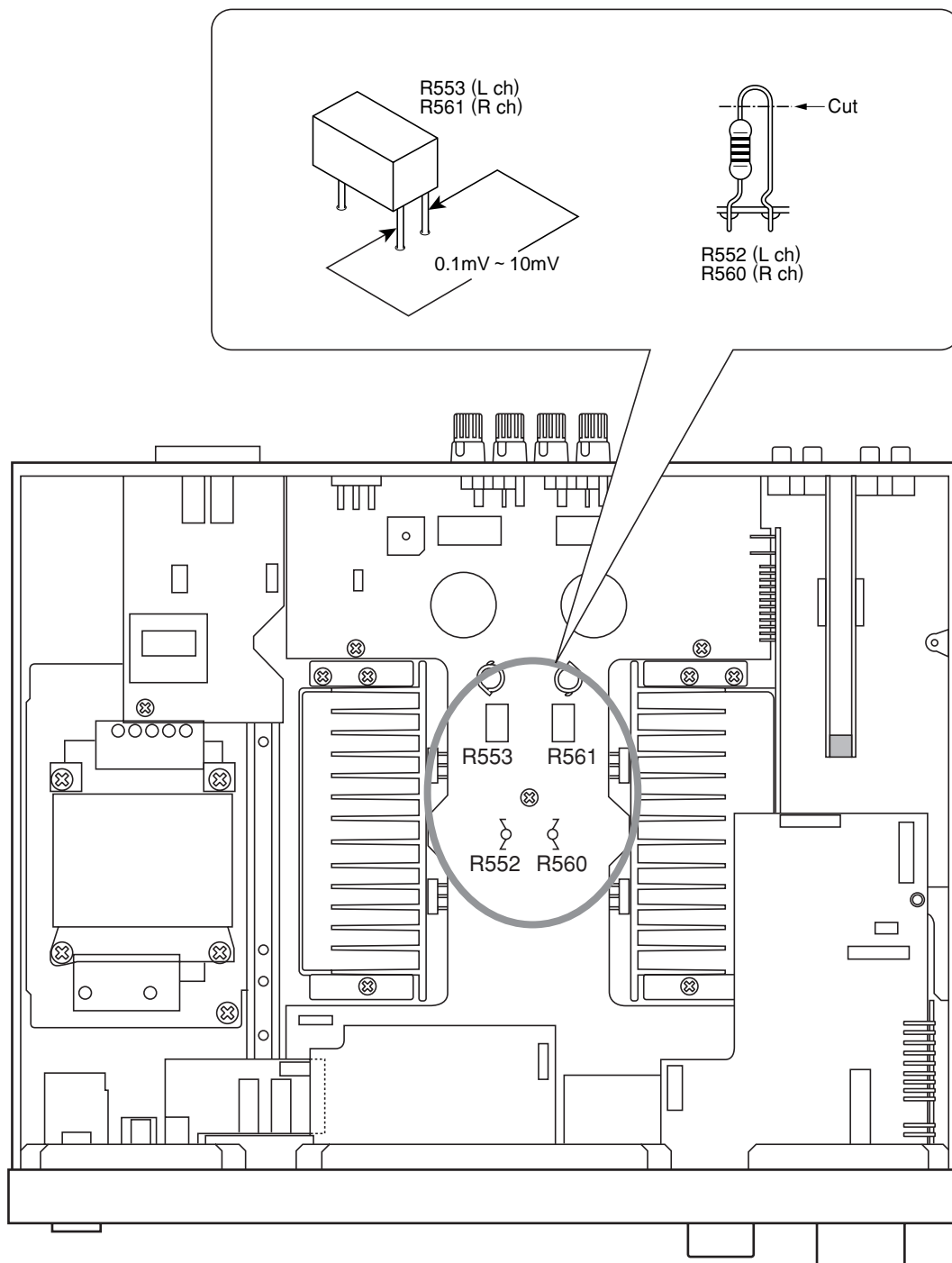
■ ADJUSTMENTS

Confirmation of Idling Current

- Right after Power is switched ON, confirm the voltages measures at R553 (L ch) and R561 (R ch) are between 0.1mV to 10mV.
- If it exceeds 10mV, open (cut off) R552 (L ch), R560 (R ch) and reconfirm the voltage.

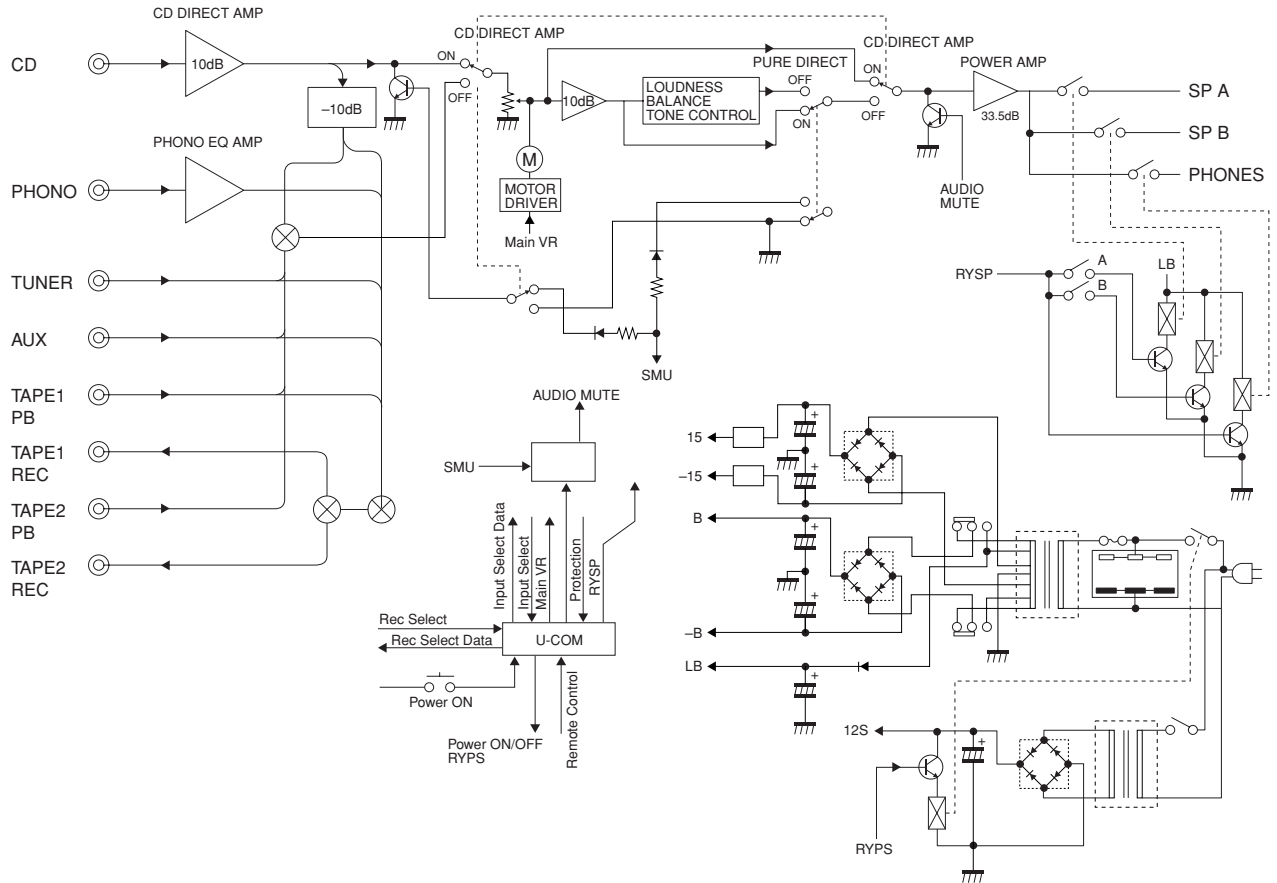
アイドル電流の確認

- 電源投入直後、R553 (L ch)、R561 (R ch)の端子間の電圧を測定し、0.1mVから10mVの間であることを確認してください。
- 電圧が10mVを超えている場合は、次のようにします。
R553 (L ch)の場合、R552をカット
R561 (R ch)の場合、R560をカット

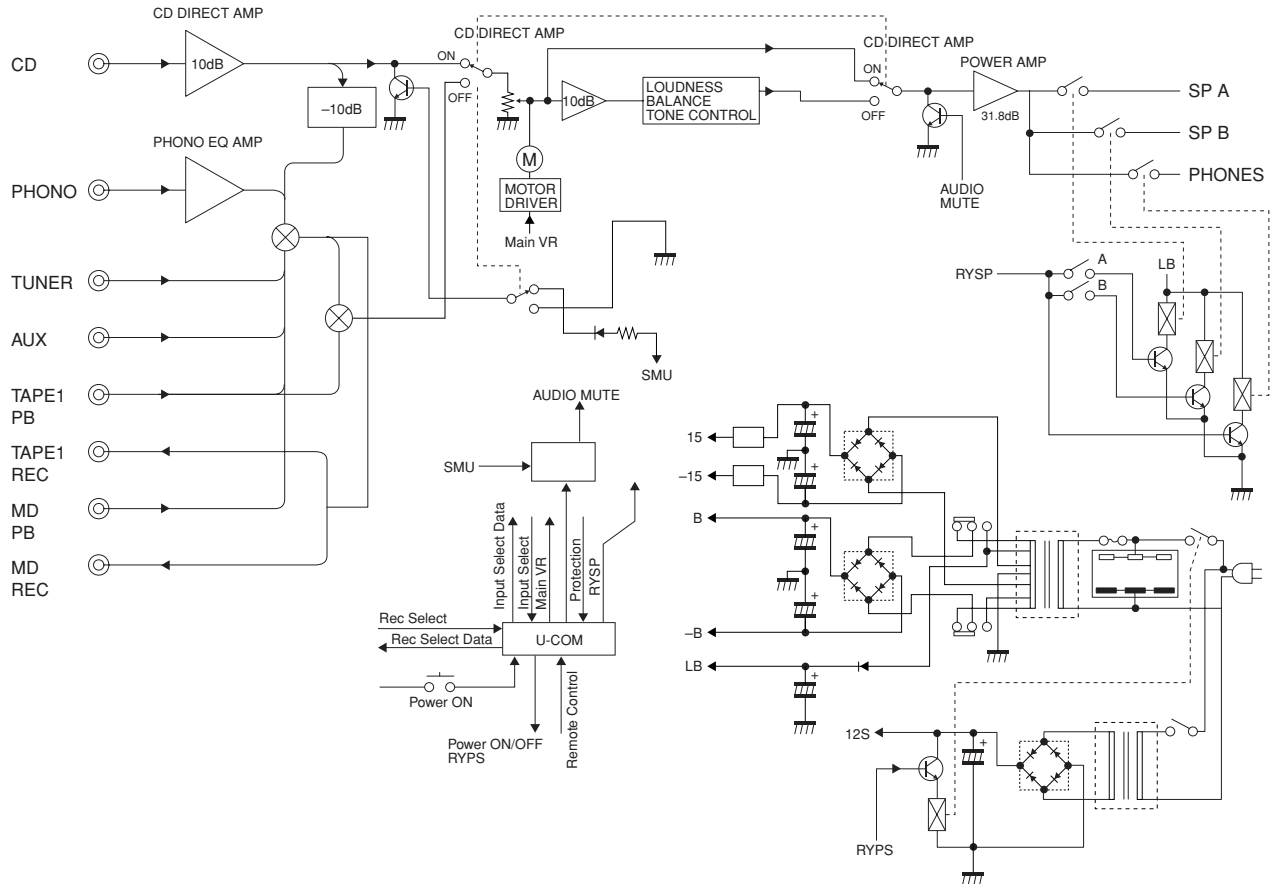


BLOCK DIAGRAM

▼ AX-496

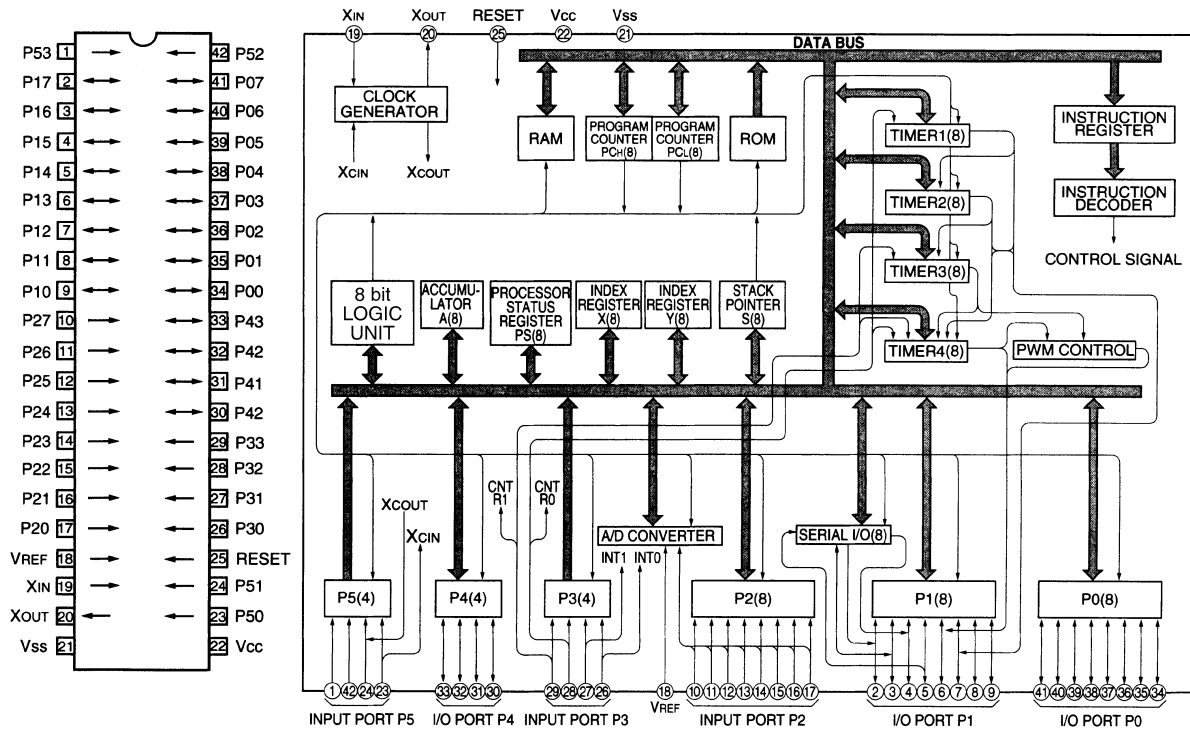


▼ AX-396



μ-COM DATA

IC101 : M37478M4-409SP



No.	Port	I/O	Form	RE	Function
1	P53	I	I		
2	P17	I/O	O	CEI	Chip Enable (Input selector)
3	P16	I/O	O	CK	Clock
4	P15	I/O	O	DATA	Data
5	P14	I/O	O		T x D
6	P13	I/O	O	TMO	Tape Monitor
7	P12	I/O	O	VRUP	Motor Volume (UP)
8	P11	I/O	O	VRDN	Motor Volume (DOWN)
9	P10	I/O	O	RYPS	Power Relay
10	P27	I	I	ENR	Rotary Encoder (Right)
11	P26	I	I	ENL	Rotary Encoder (Left)
12	P25	I	I	D34/5	AX-496, 396/596 Detect
13	P24	I	I		H: 496, 396 L: 596
14	P23	I	I	REC	Rec Out Selector Detect
15	P22	I	I	PRDC	Protection (DC)
16	P21	I	I	PRI	Protection (Overload)
17	P20	I	I	PRPS	Protection (Power Supply)
18	Vref	I		VREF	
19	Xin	I		XIN	
20	Xout	O		XOUT	
21	Vss			VSS	
22	Vcc			VCC	
23	P50	I	I	PRINH	Release the Protection
24	P61	I/O	O		
25	/RESET	I		/RESET	
26	P30	I	I	PD	Power Down Detect
27	P31	I	I	REM	Remote Control
28	P32	I	I	D43	AX-493/393 Detect
29	P33	I	I	TPM	Tape Monitor
30	P40	I/O	O	LEDTM	LED (Tape Monitor)
31	P41	I/O	O	MUTE	Mute
32	P42	I/O	O	RYSP	Speaker Relay
33	P43	I/O	O	LSBY	LED (Power)
34	P00	I/O	I	PS	Power
35	P01	I/O	I	REM	Remote Control (Wakeup)
36	P02	I/O	O	LEDP	LED (Phono)
37	P03	I/O	O	LEDTM	LED (Tuner)
38	P04	I/O	O	LEDC	LED (CD)
39	P05	I/O	O	LEDM	LED (Tape)
40	P06	I/O	O	LEDTP	LED (MD)
41	P07	I/O	O	LEDA	LED (AUX)
42	P52	I	I		

AX-496

PRINTED CIRCUIT BOARD (Foil side)

P.C.B. MAIN (3)

P.C.B. MAIN (1)

To FUNCTION (6)

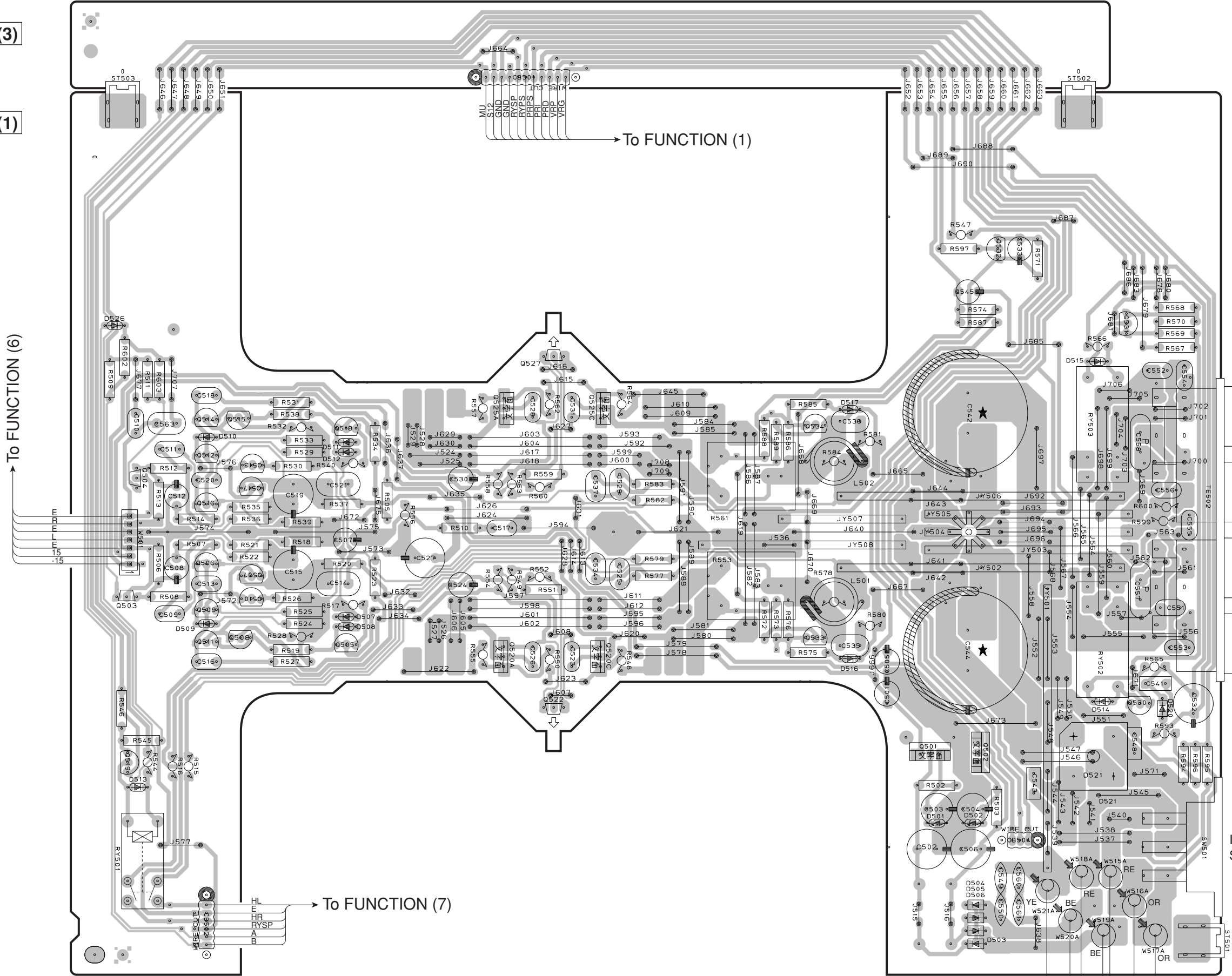
To FUNCTION (1)

To FUNCTION (7)

To MAIN (6)

SPEAKERS

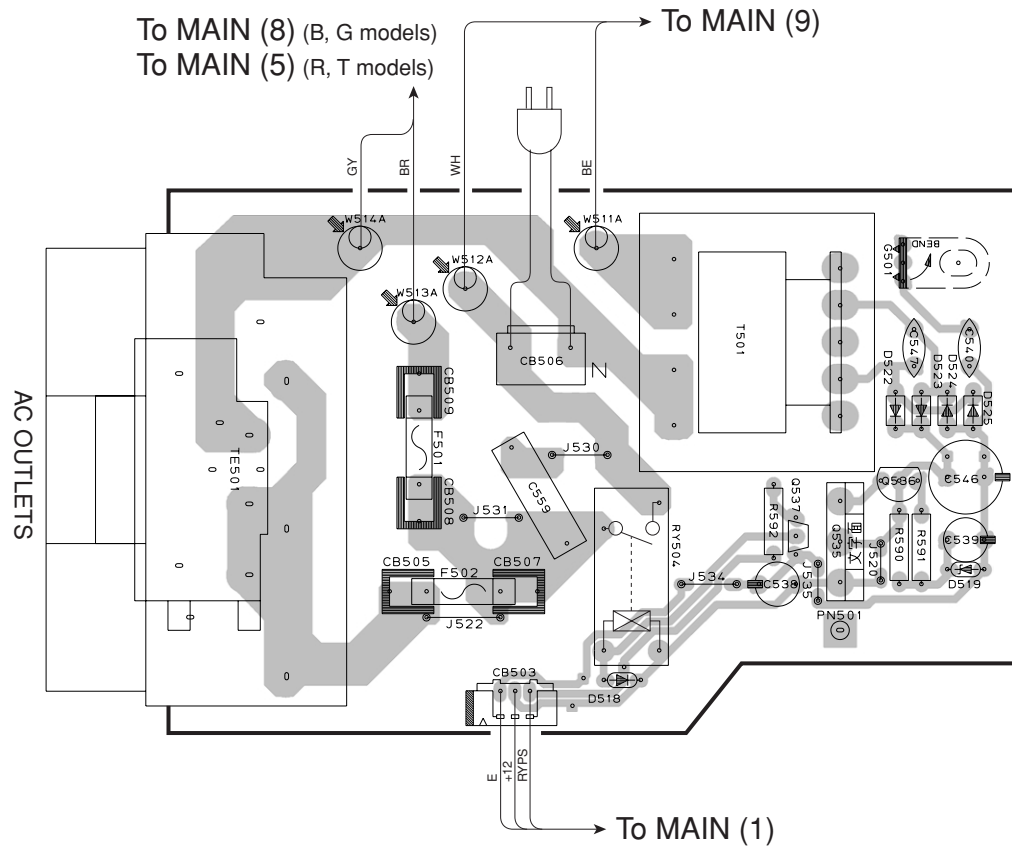
IMPEDANCE SELECTOR



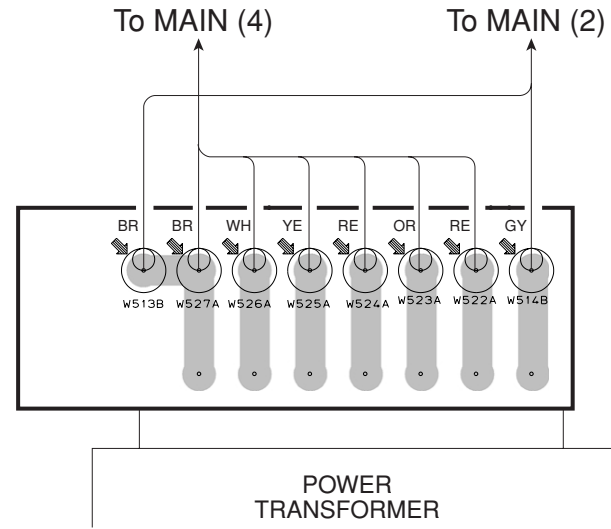
AX-496

PRINTED CIRCUIT BOARD (Foil side)

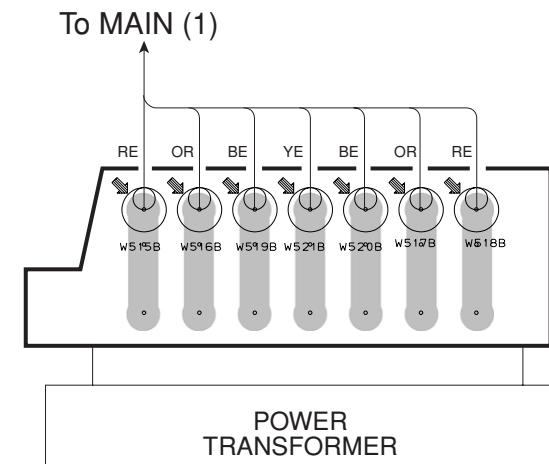
P.C.B. MAIN (2)



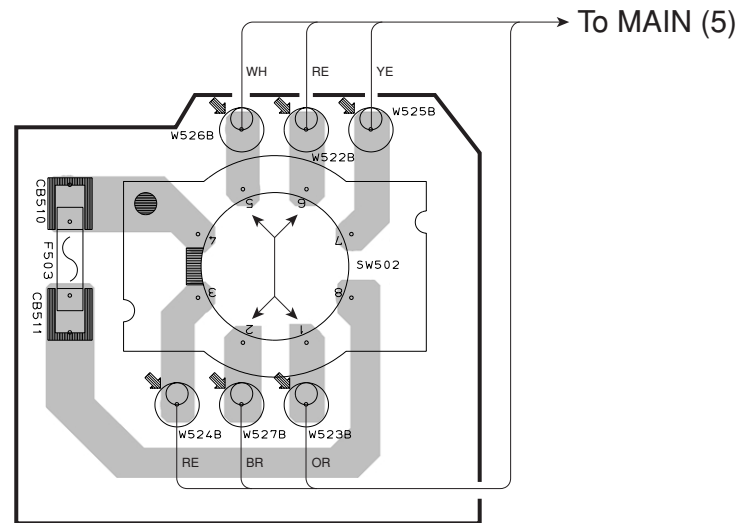
P.C.B. MAIN (5) (R, T models)



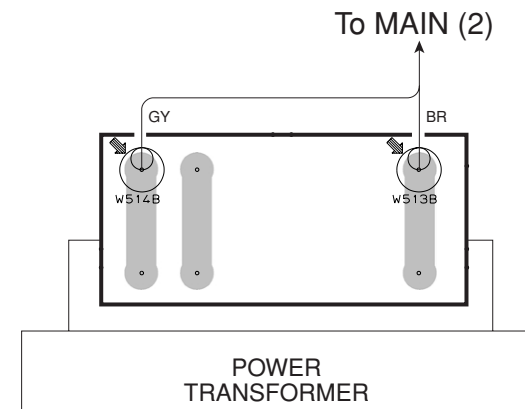
P.C.B. MAIN (6)



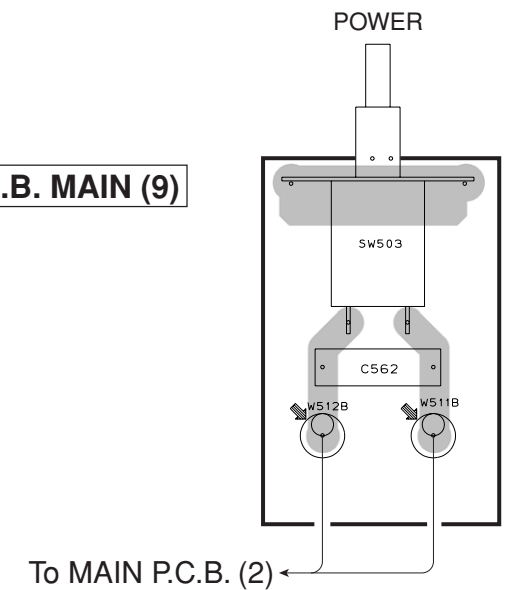
P.C.B. MAIN (4) (R, T models)



P.C.B. MAIN (8) (B, G models)



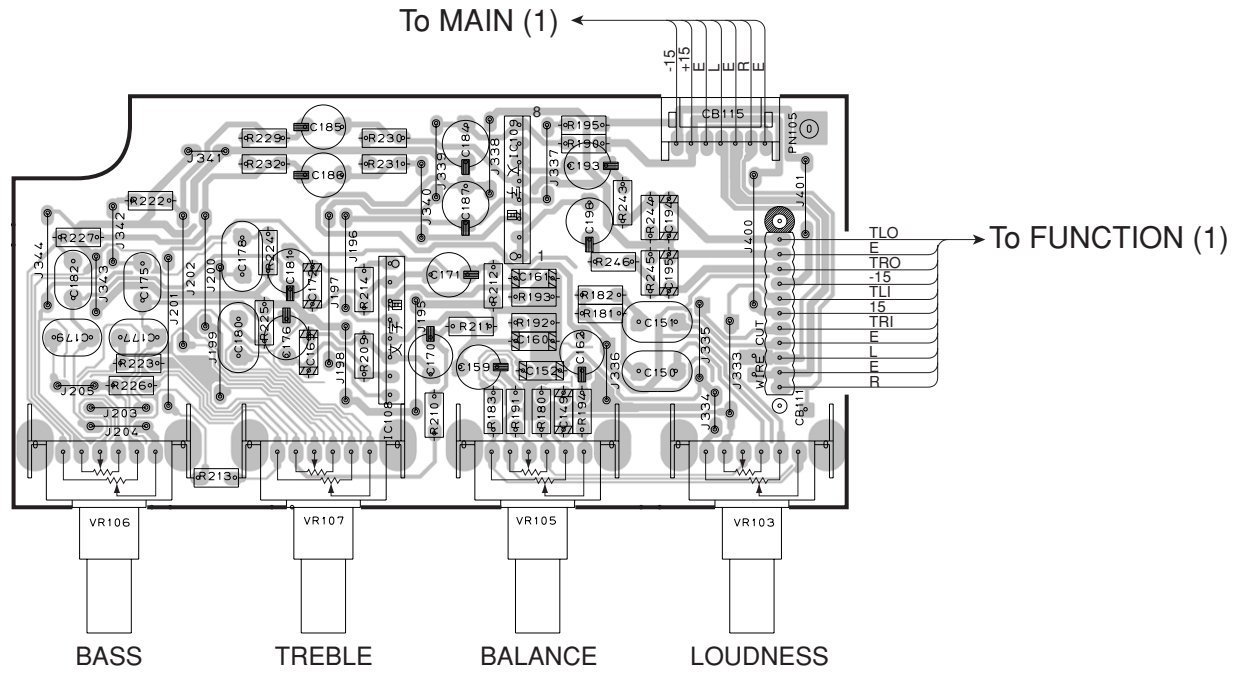
P.C.B. MAIN (9)



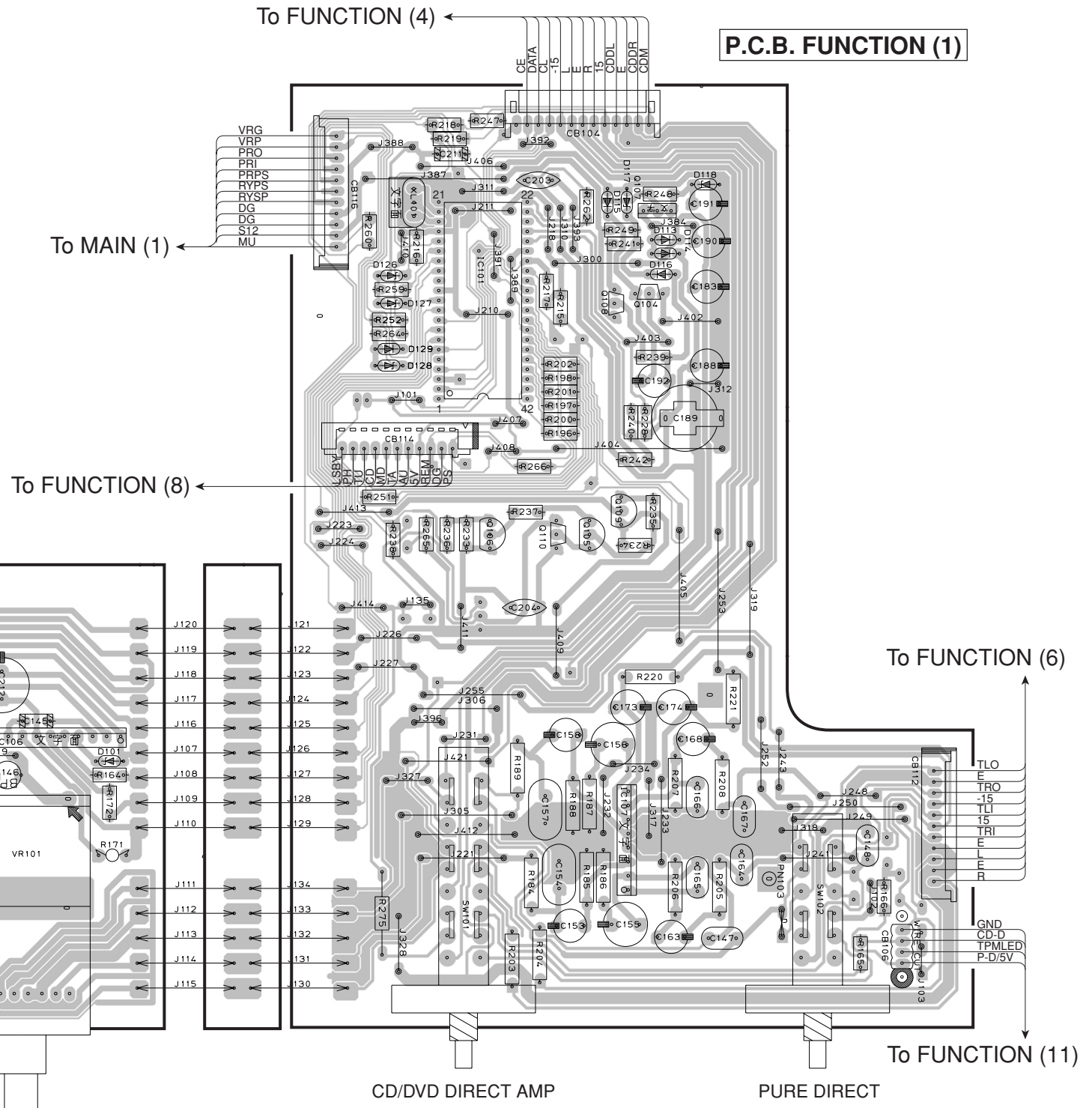
AX-496

PRINTED CIRCUIT BOARD (Foil side)

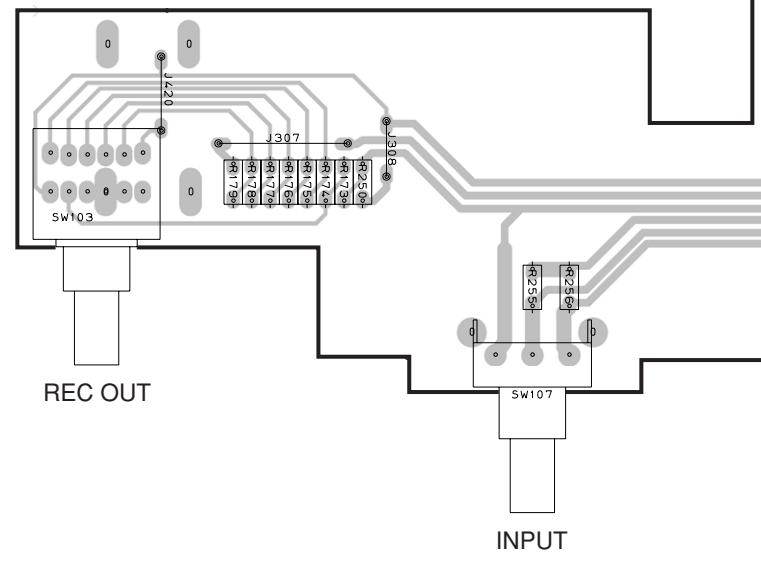
P.C.B. FUNCTION (6)



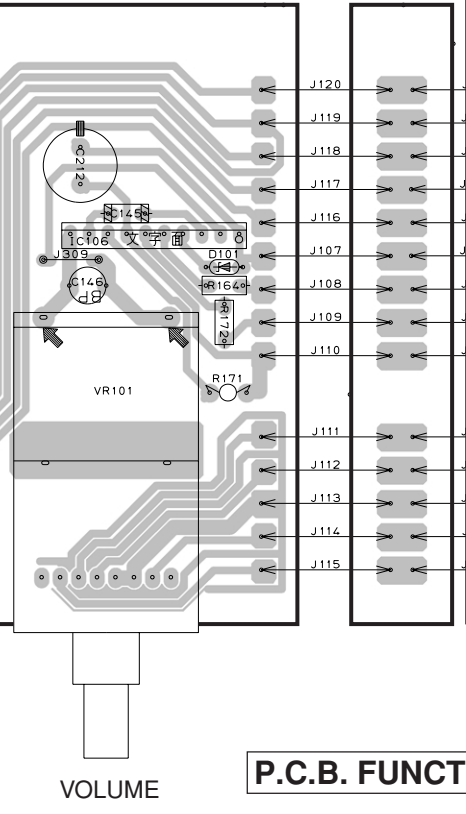
P.C.B. FUNCTION (1)



P.C.B. FUNCTION (3)

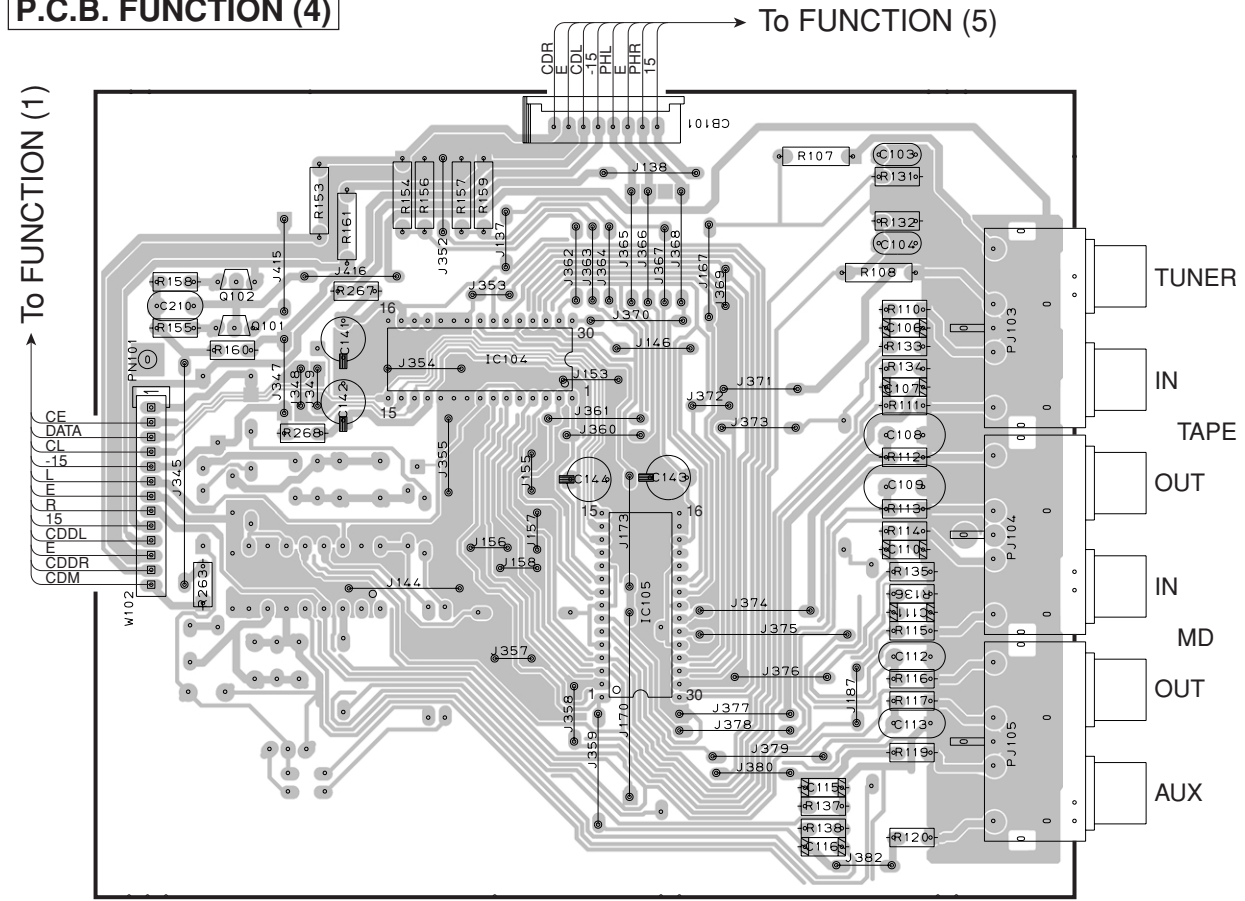


P.C.B. FUNCTION (2)

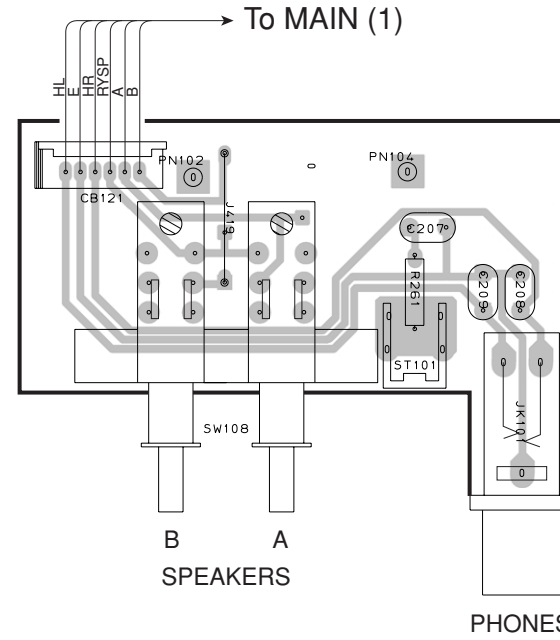


PRINTED CIRCUIT BOARD (Foil side)

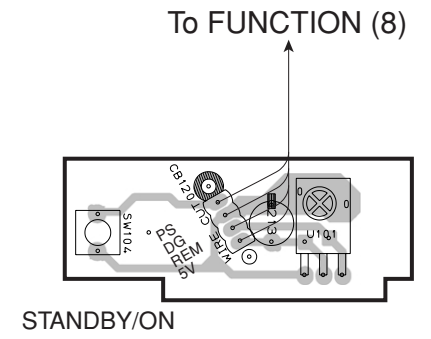
P.C.B. FUNCTION (4)



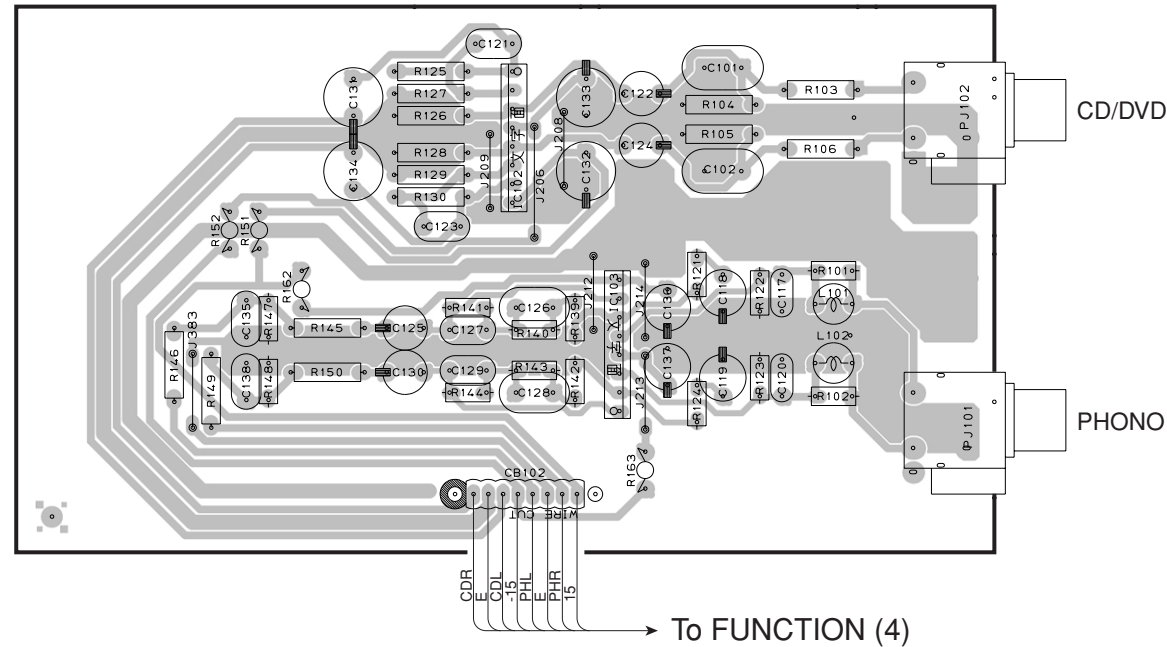
P.C.B. FUNCTION (7)



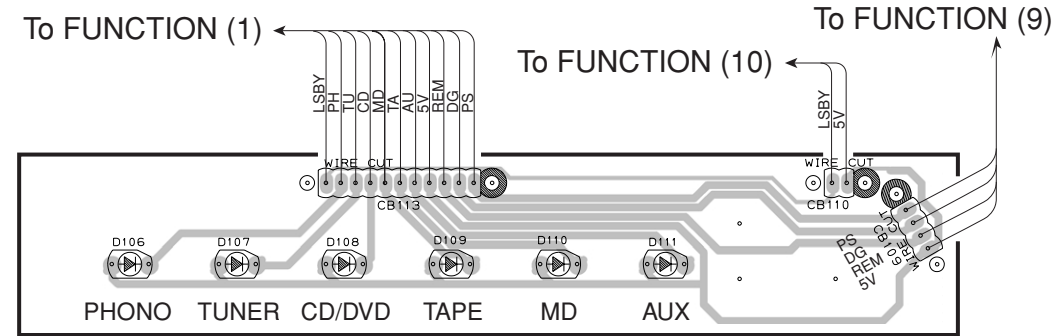
P.C.B. FUNCTION (9)



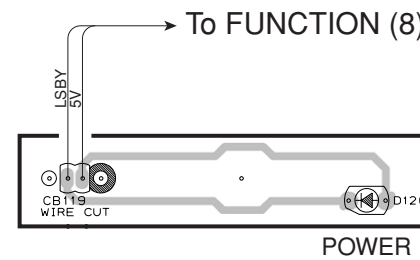
P.C.B. FUNCTION (5)



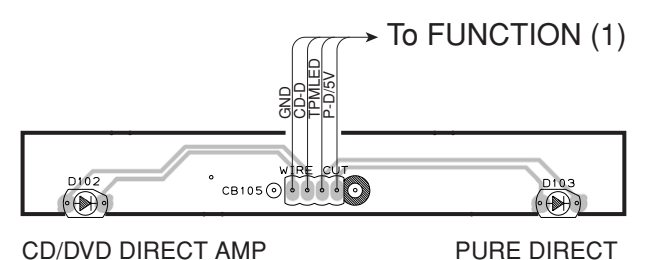
P.C.B. FUNCTION (8)



P.C.B. FUNCTION (10)



P.C.B. FUNCTION (11)



AX-396

PRINTED CIRCUIT BOARD (Foil side)

P.C.B. MAIN (3)

P.C.B. MAIN (1)

To FUNCTION (6)

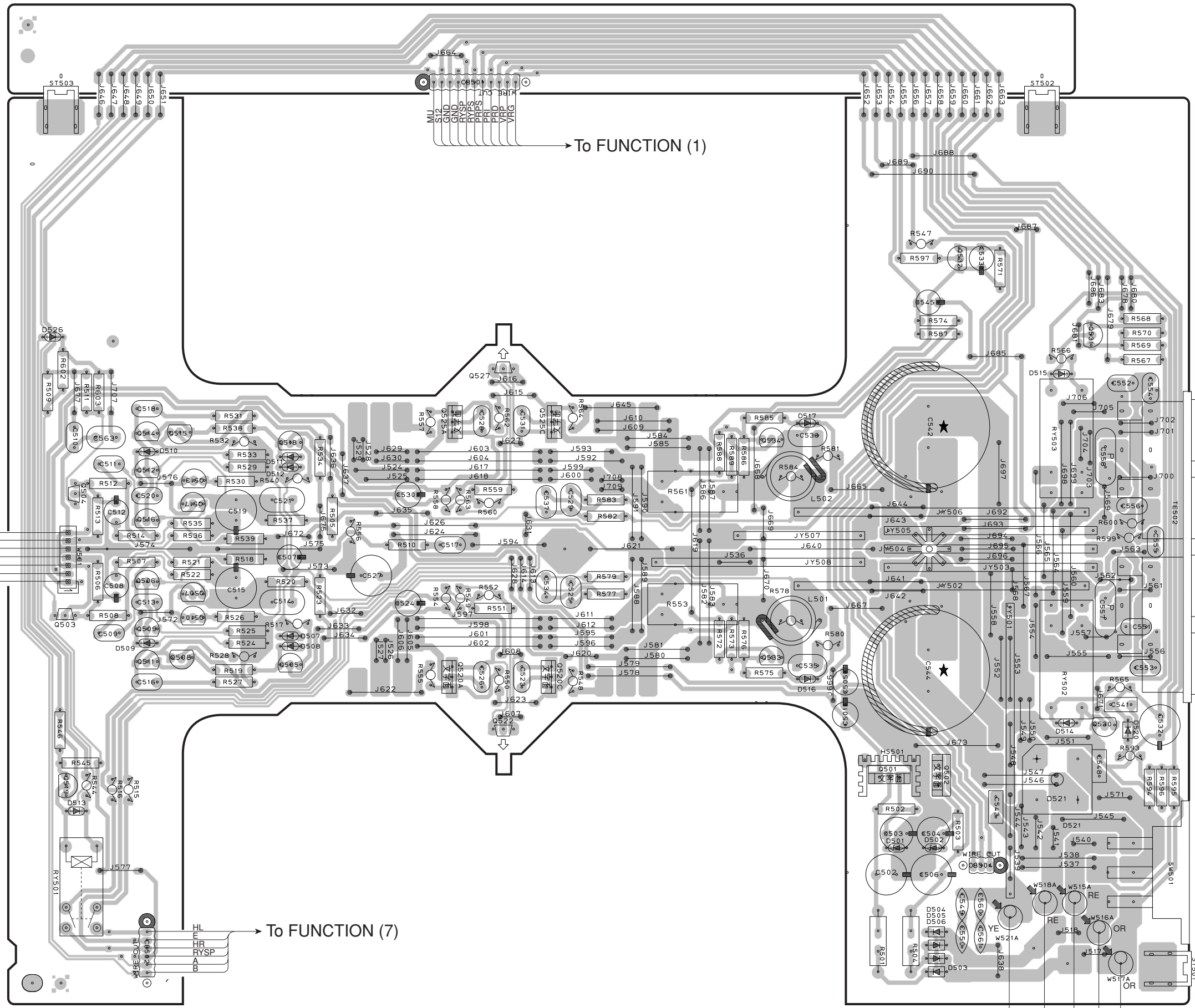
To FUNCTION (7)

To FUNCTION (1)

SPEAKERS

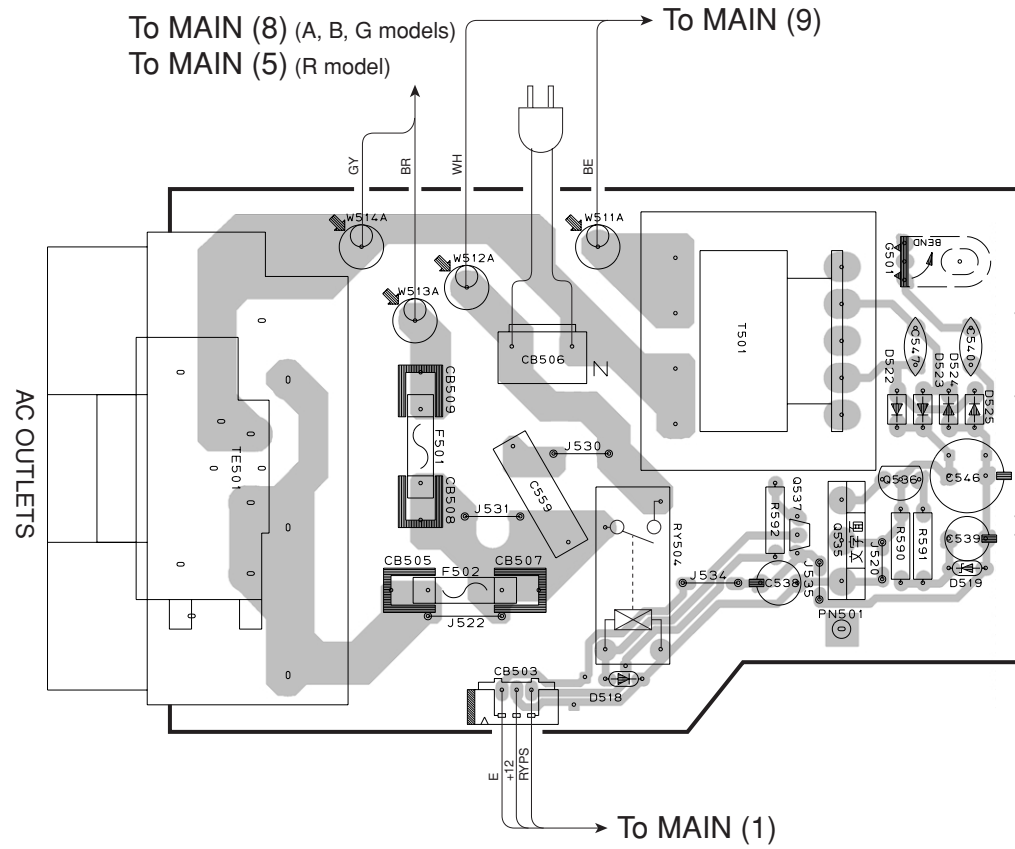
IMPEDANCE SELECTOR

To MAIN (6)

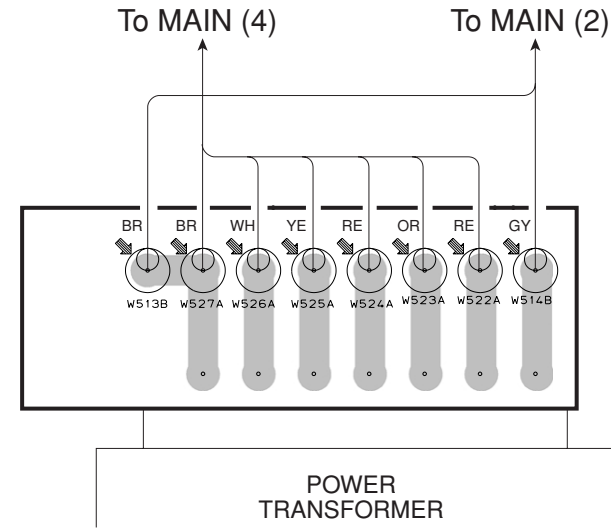


PRINTED CIRCUIT BOARD (Foil side)

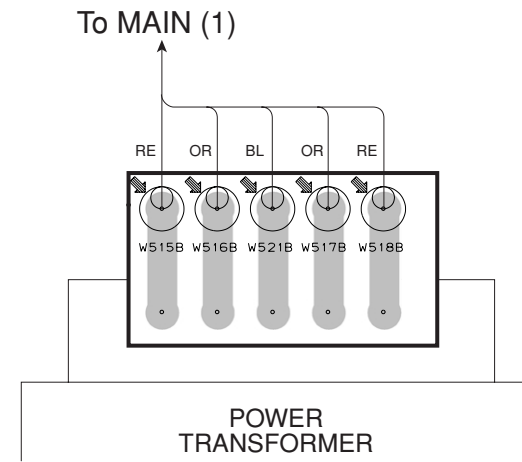
P.C.B. MAIN (2)



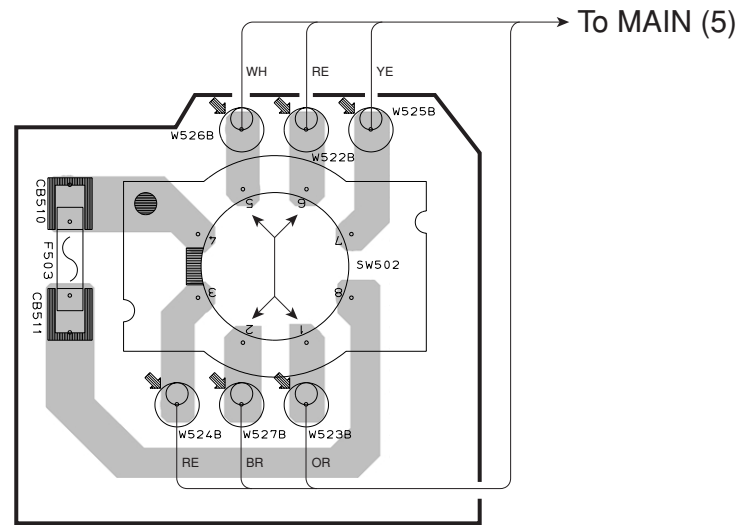
P.C.B. MAIN (5) (R model)



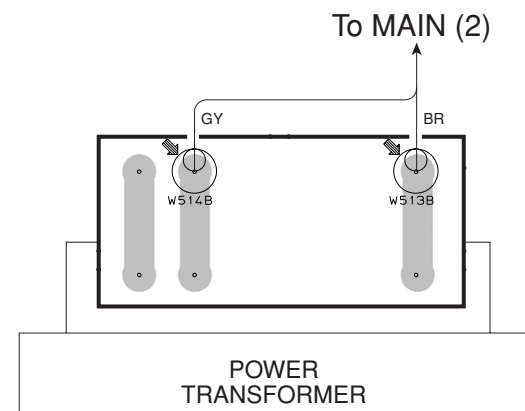
P.C.B. MAIN (7)



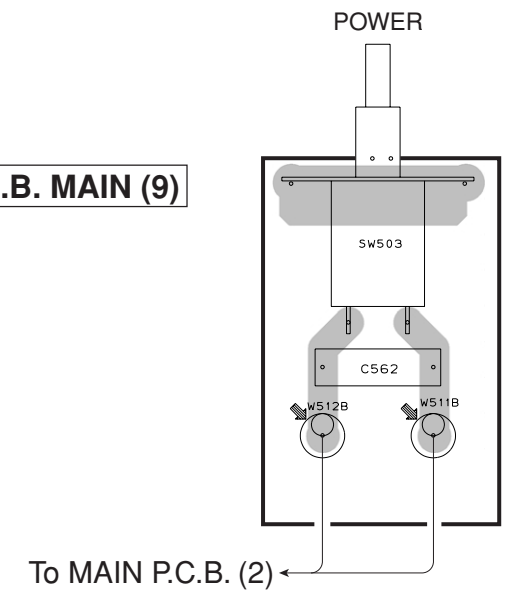
P.C.B. MAIN (4) (R model)



P.C.B. MAIN (8) (A, B, G models)

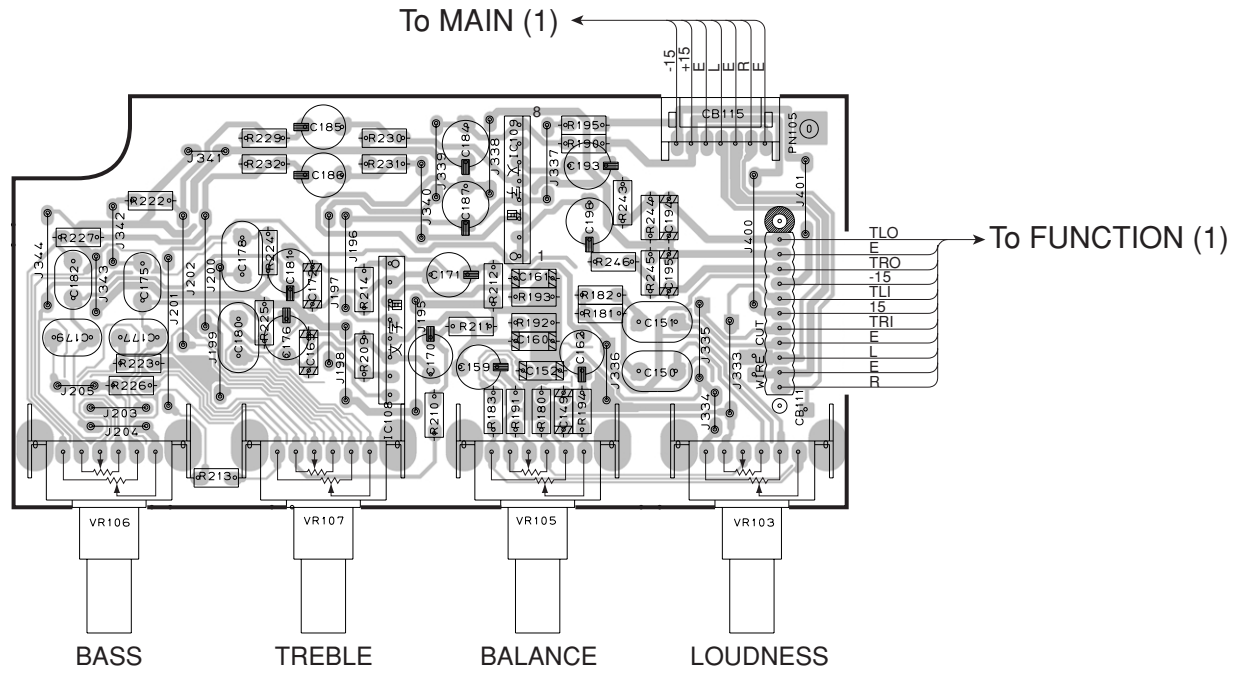


P.C.B. MAIN (9)

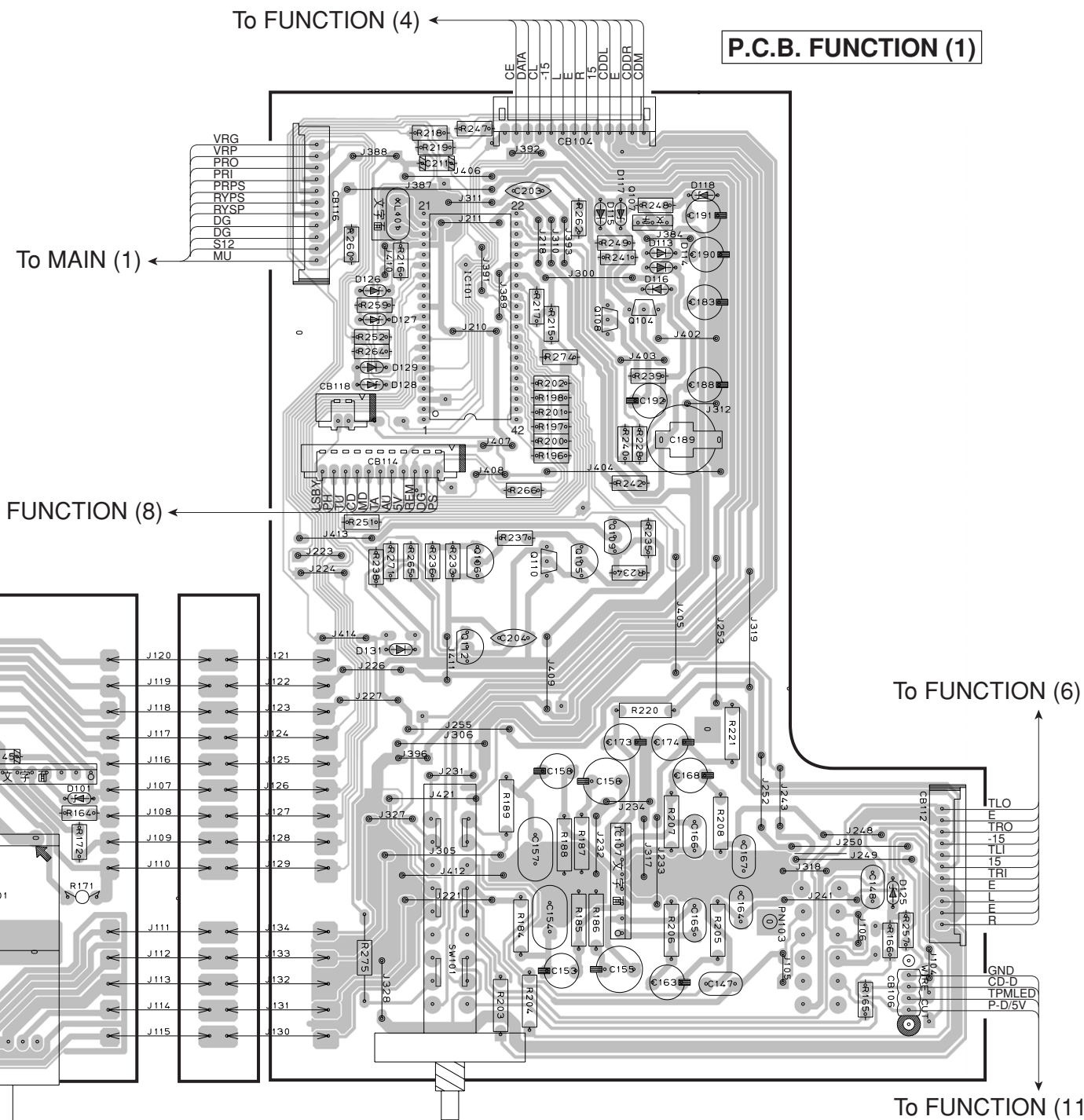


PRINTED CIRCUIT BOARD (Foil side)

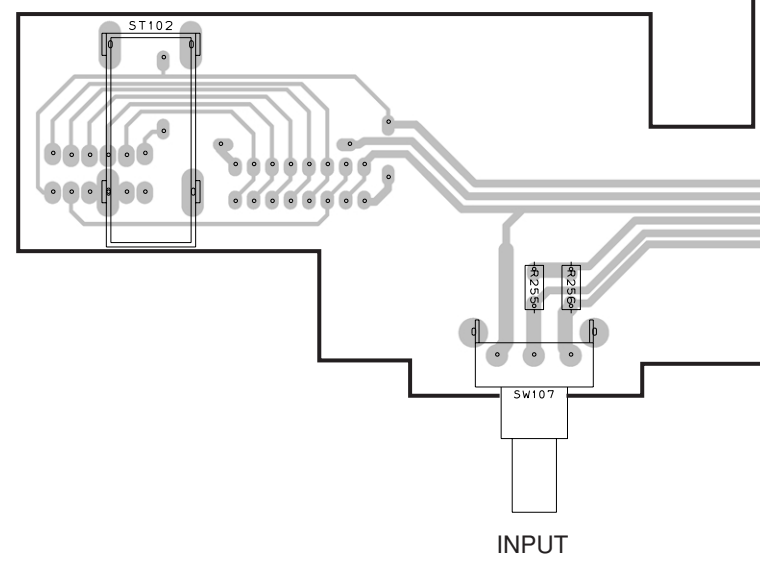
P.C.B. FUNCTION (6)



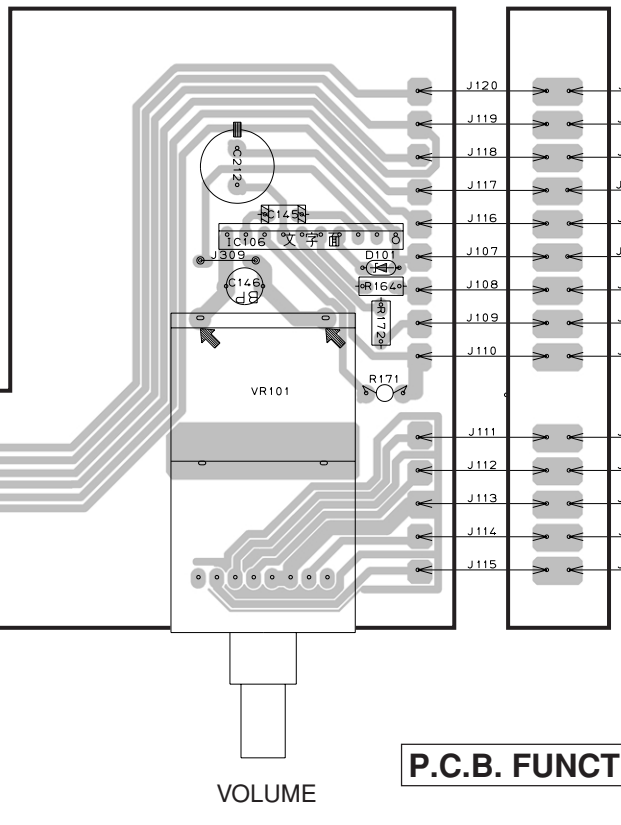
P.C.B. FUNCTION (1)



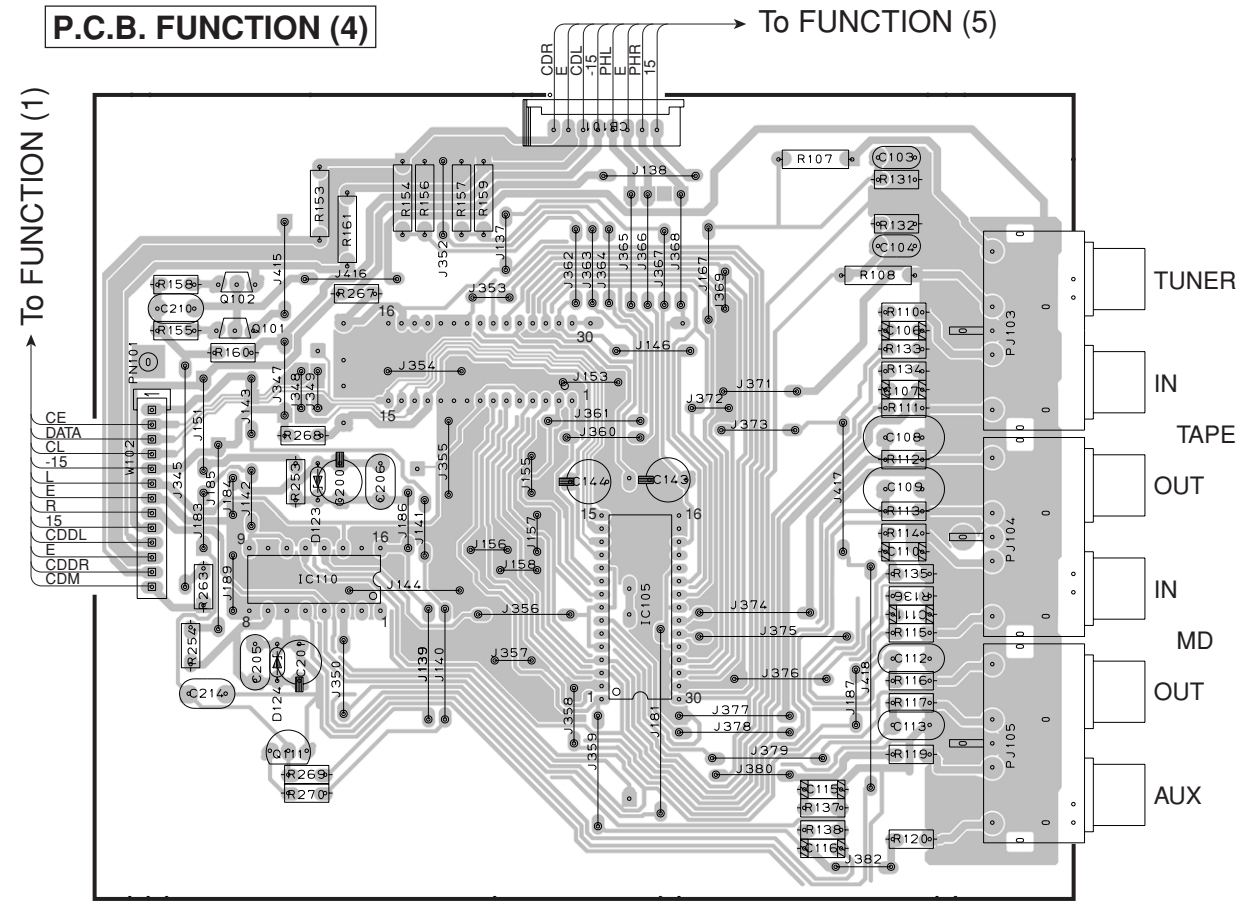
P.C.B. FUNCTION (3)



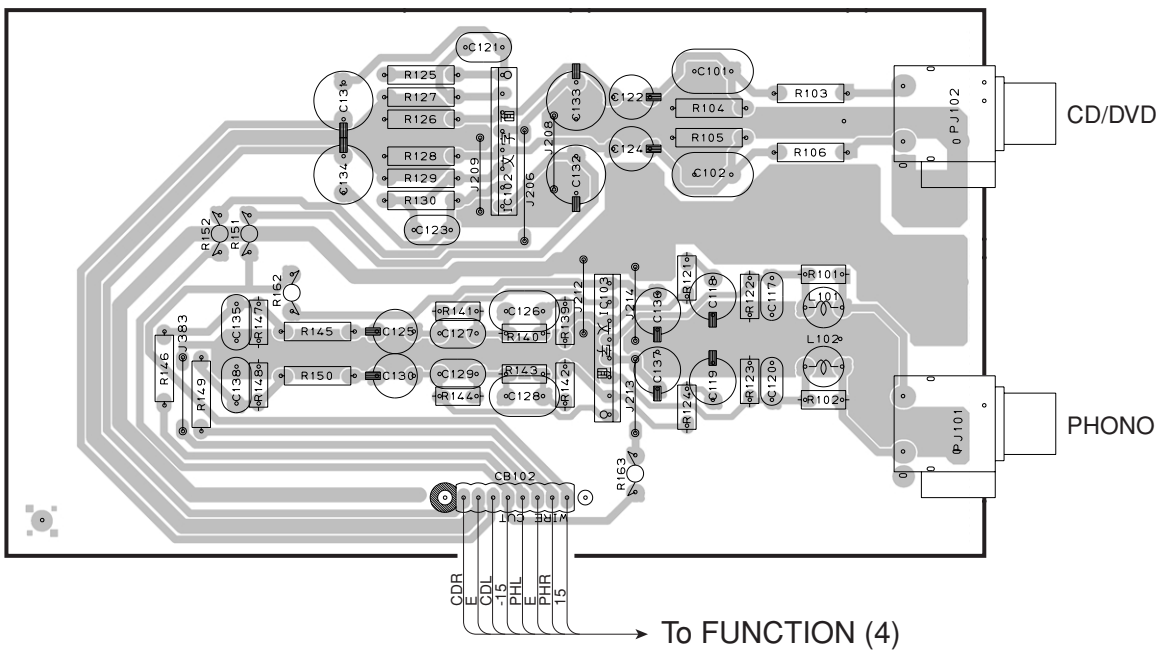
P.C.B. FUNCTION (2)



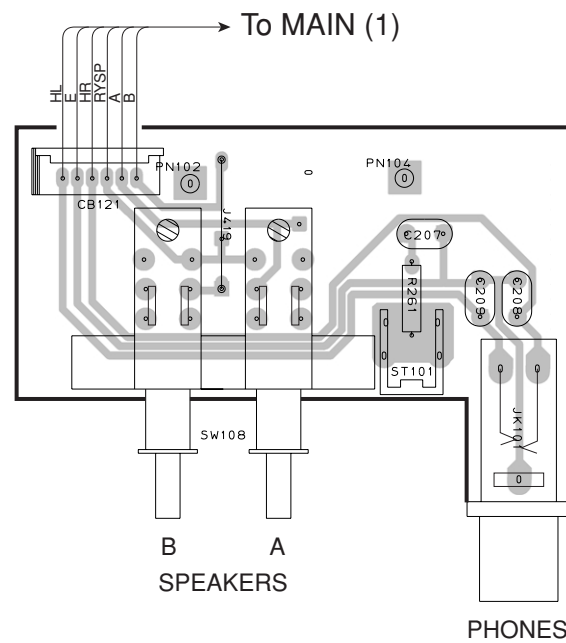
PRINTED CIRCUIT BOARD (Foil side)



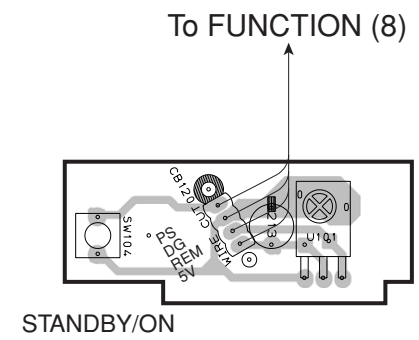
P.C.B. FUNCTION (5)



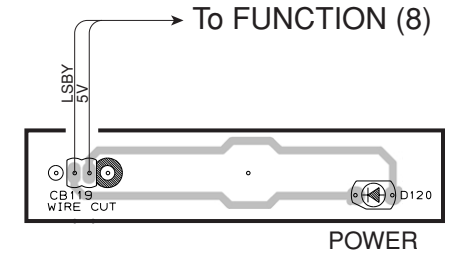
P.C.B. FUNCTION (7)



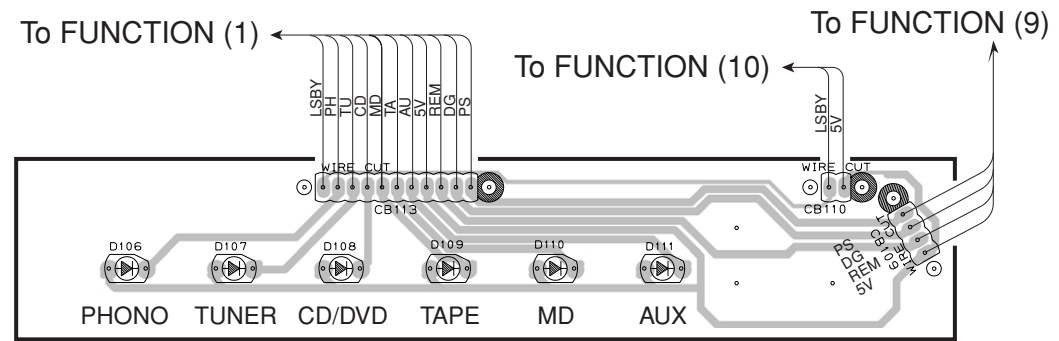
P.C.B. FUNCTION (9)



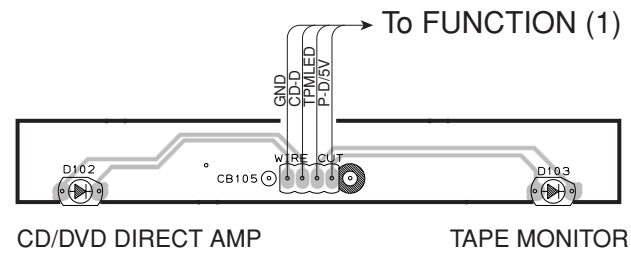
P.C.B. FUNCTION (10)



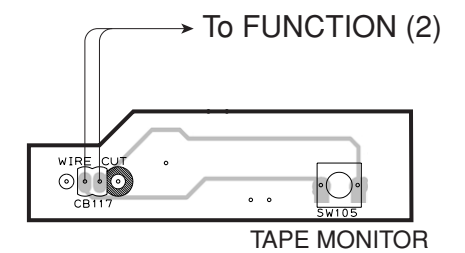
P.C.B. FUNCTION (8)



P.C.B. FUNCTION (11)



P.C.B. FUNCTION (12)

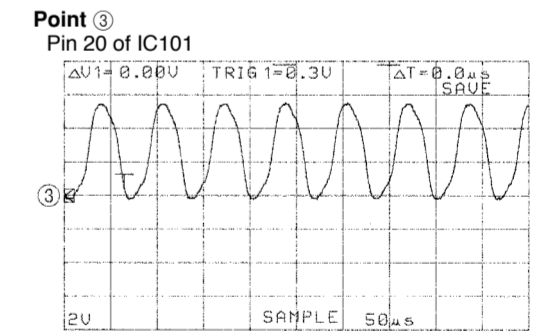
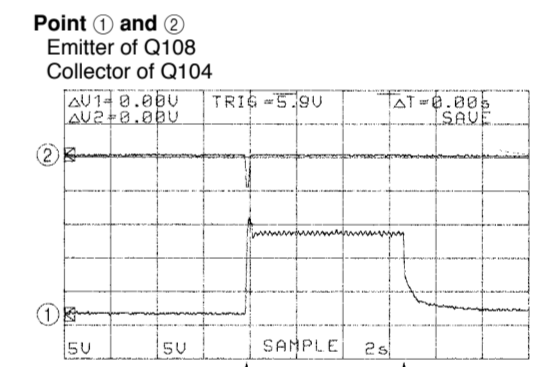
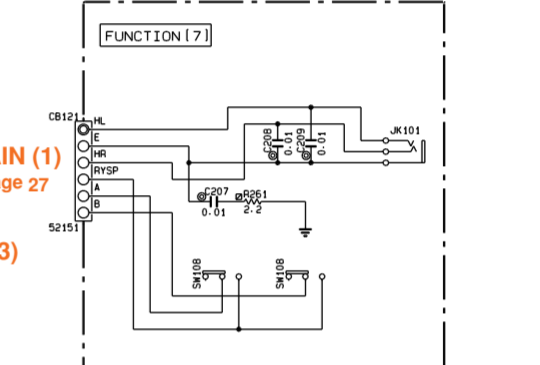
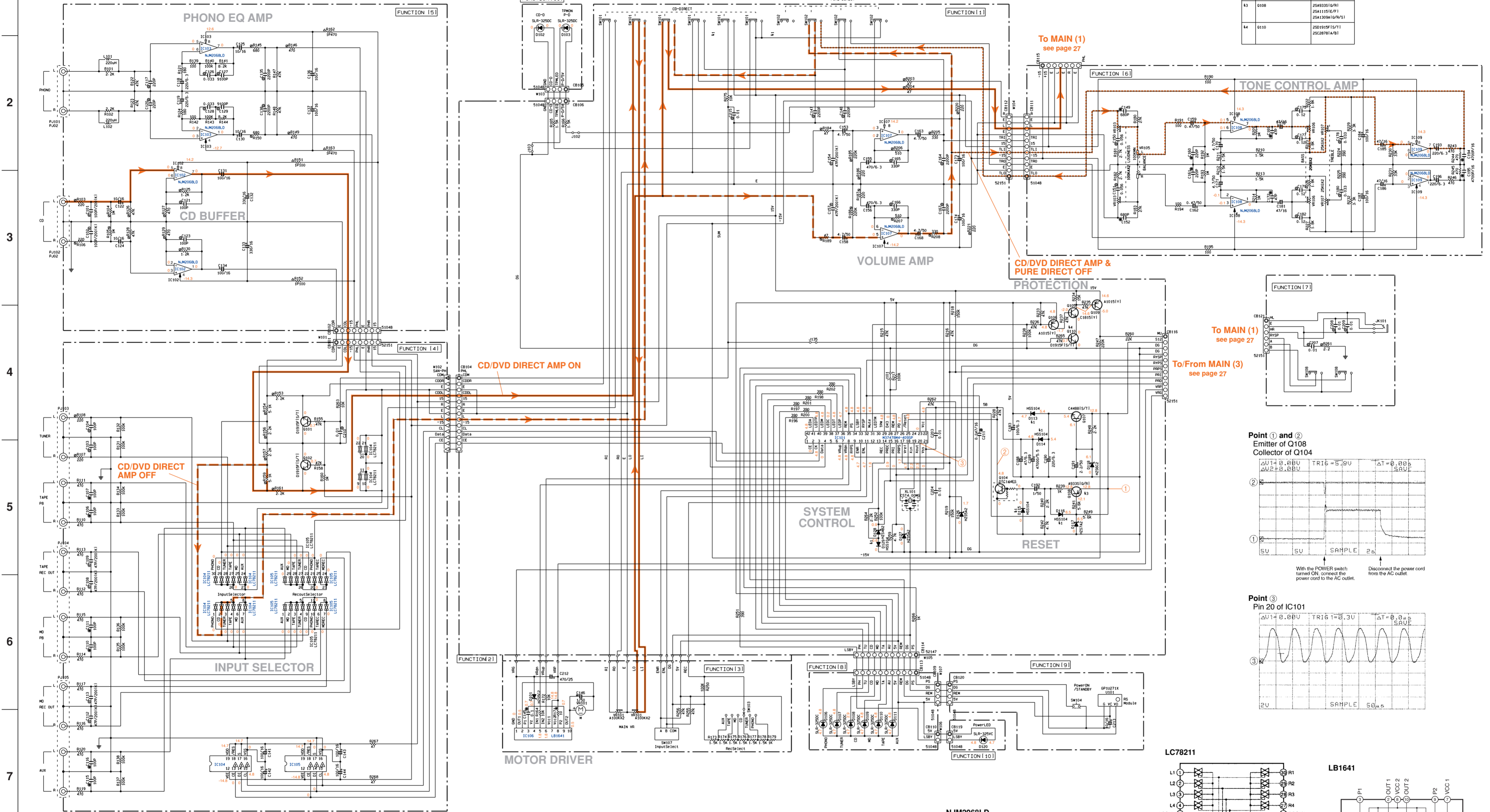


SCHEMATIC DIAGRAM

AX-496

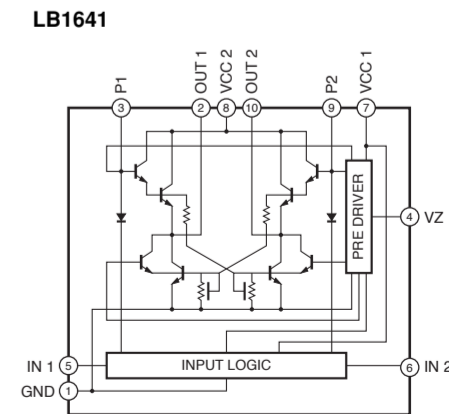
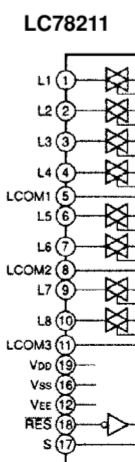
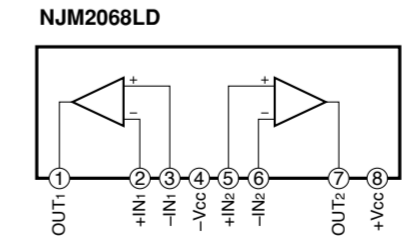
Interchangeable Parts at Manufacture-Stage

Mark	Reference Parts Number	Part's Name
k1	0113-116-129	RES104 150133 150176
k3	0108	25A0335(D/P) 25A1115(E/P) 25A1309A(G/P/S)
k4	0110	25D1915(F/S/T) 25C2078(A/B)

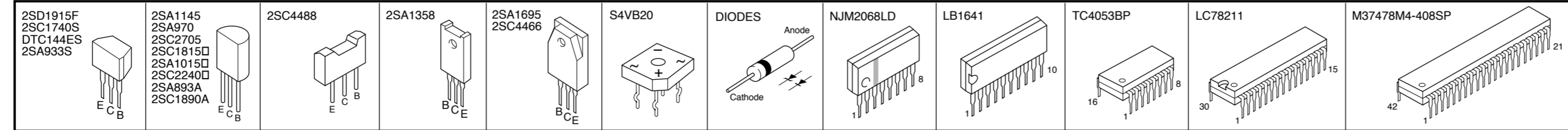


NOTICE (mode1)
(J)..... JAPANESE
(U)..... U. S. A
(C)..... CANADIAN
(P)..... GENERAL
(A)..... AUSTRALIAN
(B)..... BRITISH
(G)..... EUROPEAN
(T)..... CHINA
(L)..... SINGAPORE

REMARKS	PARTS NAME	REMARKS	PARTS NAME
NO MARK	CARBON FILM RESISTOR (P±5)	NO MARK	ELECTROLYTIC CAPACITOR
□	CARBON FILM RESISTOR (P±10)	⊗	TANTALUM CAPACITOR
△	METAL OXIDE FILM RESISTOR	○	CERAMIC CAPACITOR
■	METAL FILM RESISTOR	⊙	CERAMIC TUBULAR CAPACITOR
◇	METAL PLATE RESISTOR	⊖	POLYESTER FILM CAPACITOR
◇	FIRE PROOF CARBON FILM RESISTOR	⊕	POLYSTYRENE FILM CAPACITOR
□	CEMENT MOLDED RESISTOR	⊖	MICA CAPACITOR
□	SEMI VARIABLE RESISTOR	⊕	POLYPROPYLENE FILM CAPACITOR
■	TRIMP RESISTOR	●	SEMICONDUCTIVE CERAMIC CAPACITOR



PIN CONNECTION DIAGRAM OF TRANSISTORS, DIODES AND ICs.

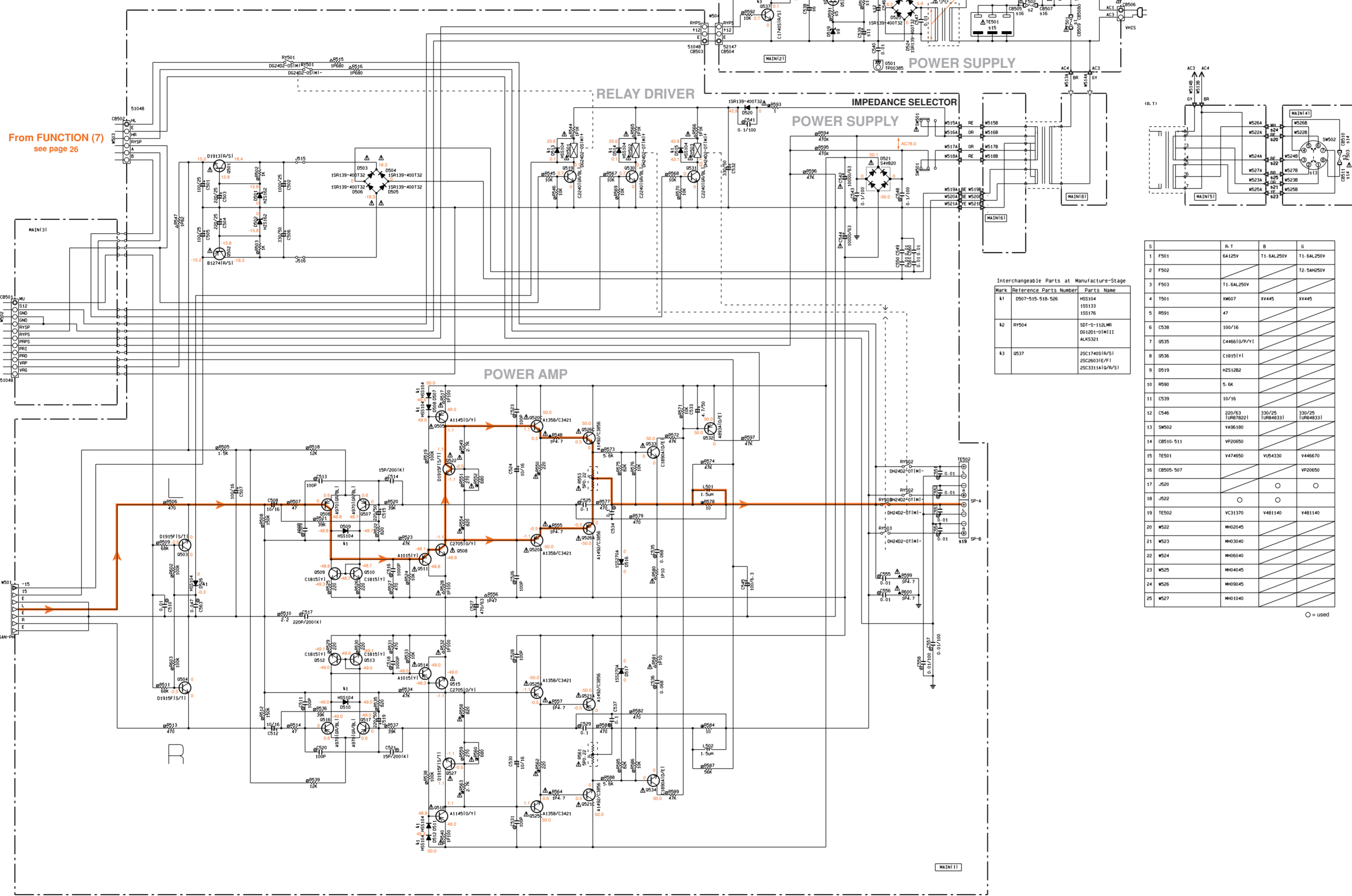


*□All voltage are measured with a 10MΩ/V DC electric volt meter.
*□Components having special characteristics are marked ! and must be replaced with parts having specifications equal to those originally installed.
*□Schematic diagram is subject to change without notice.

●電圧は、内部抵抗10MΩの電圧計で測定したものです。
●!印のある部品は、安全性確保部品を示しています。部品の交換が必要な場合、パーツリストに記載されている部品を使用してください。
●本回路図は標準回路図です。改良のため予告なく変更することがございます。

AX-496

CAPACITOR		RESISTOR		NOTICE (mode1)
REMARKS	PARTS NAME	REMARKS	PARTS NAME	
NO MARK	ELECTROLYTIC CAPACITOR	NO MARK	CARBON FILM RESISTOR (DVS)	(J)..... JAPANESE
⊗	TANTALUM CAPACITOR	⊗	CARBON FILM RESISTOR (P10)	(U)..... U. S. A
NO MARK	CERAMIC CAPACITOR	△	METAL OXIDE FILM RESISTOR	(C)..... CANADIAN
⊙	CERAMIC TUBULAR CAPACITOR	△	METAL FILM RESISTOR	(R)..... GENERAL
⊙	POLYESTER FILM CAPACITOR	⊙	METAL PLATE RESISTOR	(A)..... AUSTRALIAN
⊙	POLYSTYRENE FILM CAPACITOR	⊙	FINE PROOF CARBON FILM RESISTOR	(B)..... BRITISH
⊙	MICA CAPACITOR	⊙	CEMENT MOUNTED RESISTOR	(E)..... EUROPEAN
⊙	POLYPROPYLENE FILM CAPACITOR	⊙	SEMI-VARIABLE RESISTOR	(T)..... CHINA
⊙	SEMICONDUCTIVE CERAMIC CAPACITOR	⊙	CHIP RESISTOR	(L)..... SINGAPORE



Interchangeable Parts at Manufacture-Stage

Wp. No.	Reference Parts Number	Parts Name
A1	0507-515-518-526	H5104
		1S5133
		1S5176
A2	RY504	50T-5-112LMP
		061201-01W111
A3	0537	25C174951(R/S)
		25C260316(F/S)
		25C3311(G/R/S)

S	R-T	B	G
1	F501	6A125V	T1-6A1250V
2	F502		T2-5A4250V
3	F503	T1-6A1250V	
4	T501	XW07	XV445
5	R591	47	
6	C538	100/16	
7	0535	C466(0/P/Y)	
8	0536	C18151Y1	
9	0519	H2512R2	
10	R990	5.6K	
11	C539	10/16	
12	C546	220/63 (UR67822)	330/25 (UR64331)
13	W502	V496180	
14	0510-511	VP20650	
15	TE501	V474650	V446670
16	0505-507		VP20650
17	J20		
18	J22		
19	TE502	VC11370	V481140
20	W522	W02045	
21	W523	W03040	
22	W524	W06040	
23	W525	W04045	
24	W526	W03045	
25	W527	W01040	

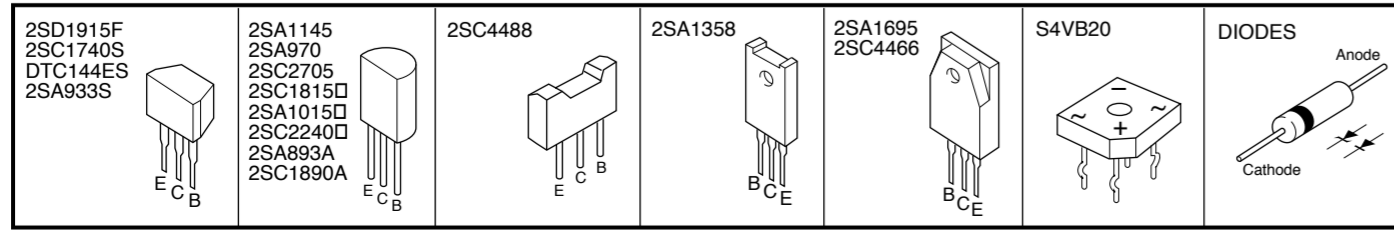
○ = used

From FUNCTION (7)
see page 26

To/From FUNCTION (1)
see page 26

From FUNCTION (6)
see page 26

PIN CONNECTION DIAGRAM OF TRANSISTORS, DIODES AND ICS.



- ★ All voltage are measured with a 10MΩ/V DC electric volt meter.
- ★ Components having special characteristics are marked Δ and must be replaced with parts having specifications equal to those originally installed.
- ★ Schematic diagram is subject to change without notice.
- 電圧は、内部抵抗10MΩの電圧計で測定したものです。
- Δ 印のある部品は、安全性確保部品を示しています。部品の交換が必要な場合、パーツリストに記載されている部品を使用してください。
- 本回路図は標準回路図です。改良のため予告なく変更することがございます。

SCHEMATIC DIAGRAM

AX-396

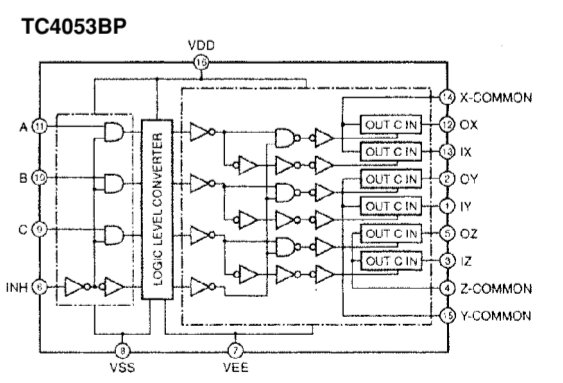
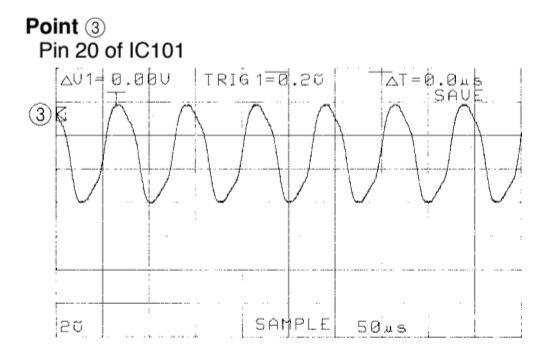
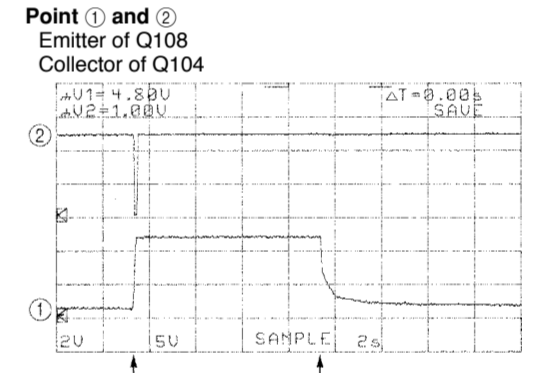
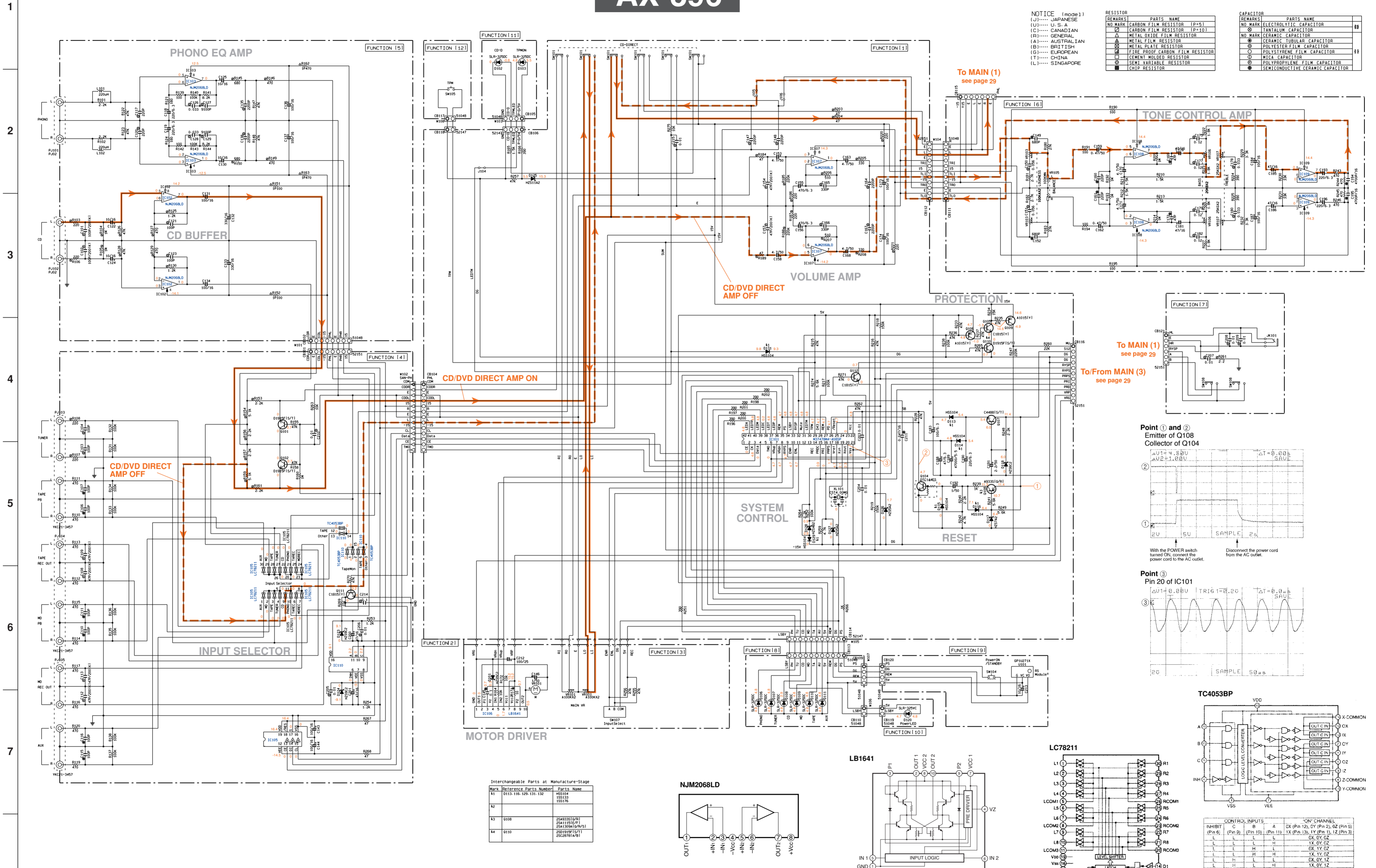
NOTICE (mod1)

RESISTOR

(J)..... JAPANESE
(U)..... U.S.A
(C)..... CANADIAN
(R)..... GENERAL
(A)..... AUSTRALIAN
(B)..... BRITISH
(G)..... EUROPEAN
(T)..... CHINA
(L)..... SINGAPORE

CAPACITOR

NO MARK ELECTROLYTIC CAPACITOR
NO MARK CERAMIC CAPACITOR
NO MARK CERAMIC TUBULAR CAPACITOR
NO MARK POLYESTER FILM CAPACITOR
NO MARK POLYSTYRENE FILM CAPACITOR
NO MARK MICA CAPACITOR
NO MARK POLYPROPYLENE FILM CAPACITOR
NO MARK SEMICONDUCTIVE CERAMIC CAPACITOR

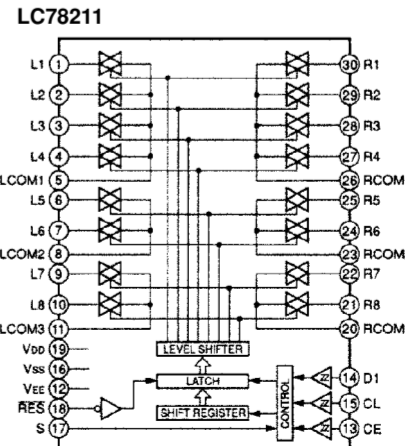
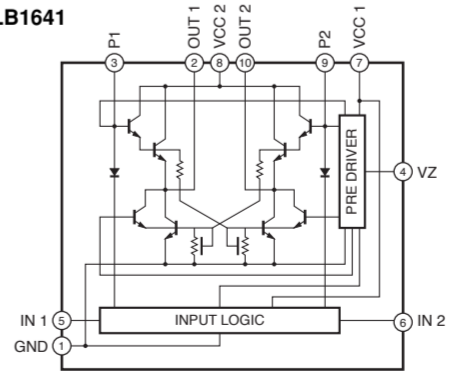
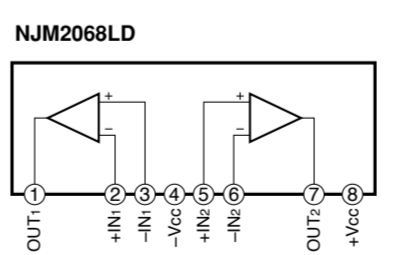


CONTROL INPUTS		"ON" CHANNEL	
INHIBIT (Pin 6)	C (Pin 9)	A (Pin 12), OY (Pin 2), OZ (Pin 3)	1X (Pin 13), 1Y (Pin 1), 1Z (Pin 3)
L	L	L	1X, OY, OZ
L	L	H	1X, OY, OZ
L	H	L	1X, OY, OZ
L	H	H	1X, OY, OZ
H	L	L	1X, OY, OZ
H	L	H	1X, OY, OZ
H	H	L	1X, OY, OZ
H	H	H	1X, OY, OZ

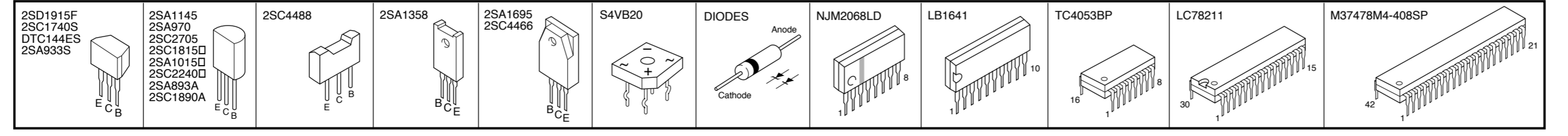
* Don't Care

Interchangeable Parts at Manufacture-Stage

Mark	Reference Parts Number	Parts Name
①	D113-116-129-131-132	MS104 MS113 MS176
②		
③	0100	2SA933S(G/R) 2SA1015P(P) 2SA1309A(G/P/S)
④	0110	2SD1915F(L/S/T) 2SC4991A(W)

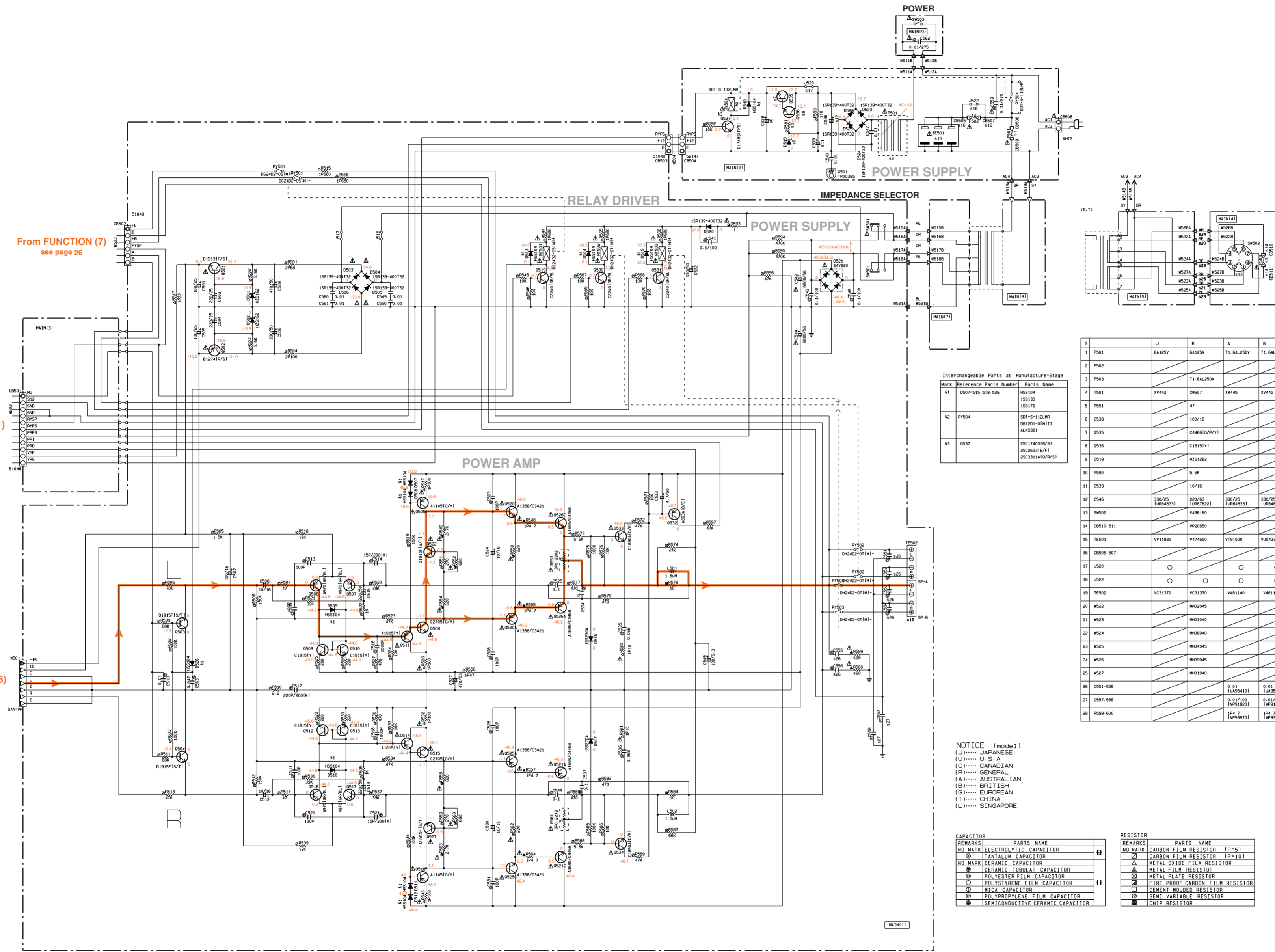


PIN CONNECTION DIAGRAM OF TRANSISTORS, DIODES AND ICs.



* All voltage are measured with a 10MΩ/V DC electric volt meter.
 * Components having special characteristics are marked with a square symbol and must be replaced with parts having specifications equal to those originally installed.
 * Schematic diagram is subject to change without notice.
 * 電圧は、内部抵抗10MΩの電圧計で測定したものです。
 * □印のある部品は、安全性確保部品を示しています。部品の交換が必要な場合、パーツリストに記載されている部品を使用してください。
 * 本回路図は標準回路図です。改良のため予告なく変更することがございます。

AX-396



Interchangeable Parts at Manufacture-Stage

Wks. No.	Reference Parts Number	Parts Name
A1	D507-515-518-526	MS104
		1S5133
		1S5176
A2	RY504	SOT-5-112LMB 901201-01W11 AL45241
A3	0537	2SC17495(R/S) 2SC2603(L/F) 2SC3311(G/R/S)

S	J	R	A	B	G
1	F501	6A125V	6A125V	T1-6AL250V	T1-6AL250V
2	F502				T2-5AH250V
3	F503		T1-6AL250V		
4	T501	YV442	XW607	YV445	YV445
5	R501	47			
6	C538	100/56			
7	0535	C44661(G/R/V)			
8	0536	C18151 V1			
9	0519	H2512B2			
10	R590	5.6K			
11	C539	10/16			
12	C546	330/25 [UR64833]	330/25 [UR67822]	330/25 [UR64833]	330/25 [UR64833]
13	SW502	V48180			
14	CR510-511	VP20650			
15	TE501	VV1880	V474650	V191500	V54330 V46670
16	CR505-507				VP20650
17	J502	○	○	○	○
18	J502	○	○	○	○
19	TE502	VC31370	VC31370	V481140	V481140 V481140
20	W522	MW02045			
21	W523	MW03040			
22	W524	MW06040			
23	W525	MW04045			
24	W526	MW09045			
25	W527	MW01040			
26	C551-556		0.01 [U495410]	0.01 [U495410]	0.01 [U495410]
27	C557-558		0.05/100 [W93801]	0.05/100 [W93801]	0.05/100 [W93801]
28	R599-600		IP4.7 [W93970]	IP4.7 [W93970]	IP4.7 [W93970]

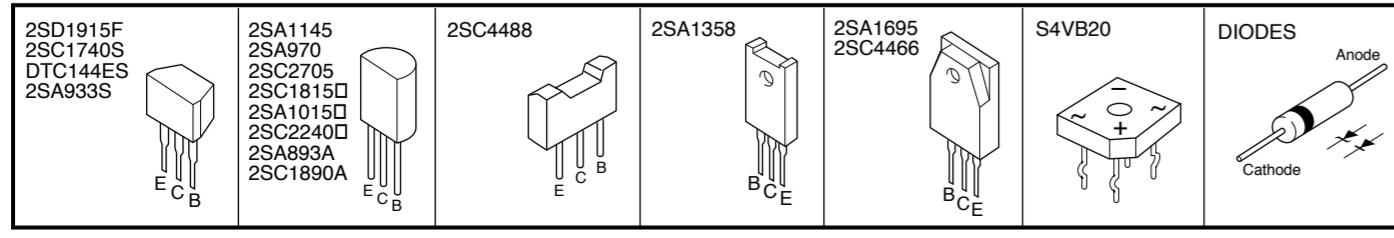
○ = used

NOTICE (model)
 (J)..... JAPANESE
 (U)..... U. S. A
 (C)..... CANADIAN
 (F)..... GENERAL
 (A)..... AUSTRALIAN
 (B)..... BRITISH
 (G)..... EUROPEAN
 (T)..... CHINA
 (L)..... SINGAPORE

REMARKS	PARTS NAME
NO MARK	ELECTROLYTIC CAPACITOR
⊕	TANTALUM CAPACITOR
NO MARK	CERAMIC CAPACITOR
⊙	CERAMIC TUBULAR CAPACITOR
⊖	POLYESTER FILM CAPACITOR
⊕	POLYSTYRENE FILM CAPACITOR
⊖	MICA CAPACITOR
⊙	POLYPROPYLENE FILM CAPACITOR
●	SEMICONDUCTIVE CERAMIC CAPACITOR

REMARKS	PARTS NAME
NO MARK	CARBON FILM RESISTOR (P=5)
⊖	CARBON FILM RESISTOR (P=10)
△	METAL OXIDE FILM RESISTOR
⊖	METAL FILM RESISTOR
⊖	METAL PLATE RESISTOR
⊖	FIRE PROOF CARBON FILM RESISTOR
⊖	CEMENT MOUNTED RESISTOR
⊖	SEMI-VARIABLE RESISTOR
■	CHIP RESISTOR

PIN CONNECTION DIAGRAM OF TRANSISTORS, DIODES AND ICS.



*All voltage are measured with a 10MΩ/V DC electric volt meter.
 *Components having special characteristics are marked Δ and must be replaced with parts having specifications equal to those originally installed.
 *Schematic diagram is subject to change without notice.
 ● 電圧は、内部抵抗10MΩの電圧計で測定したものです。
 ● Δ 印のある部品は、安全性確保部品を示しています。部品の交換が必要な場合、パーツリストに記載されている部品を使用してください。
 ● 本回路図は標準回路図です。改良のため予告なく変更することがございます。

PARTS LIST

■ ELECTRICAL PARTS

■ WARNING

Components having special characteristics are marked \triangle and must be replaced with parts having specifications equal to those originally installed.

- Carbon resistors (1/6W or 1/4W) are not included in the ELECTRICAL PARTS List. For the parts No. of the carbon resistors, refer to last page.

ABBREVIATIONS IN THIS LIST ARE AS FOLLOWS:

C.A.EL.CHP	: CHIP ALUMI.ELECTROLYTIC CAP	L.EMIT	: LIGHT EMITTING MODULE
C.CE	: CERAMIC CAP	LED.DSPLY	: LED DISPLAY
C.CE.ARRAY	: CERAMIC CAP ARRAY	LED.INFRD	: LED,INFRARED
C.CE.CHP	: CHIP CERAMIC CAP	MODUL.RF	: MODULATOR,RF
C.CE.ML	: MULTILAYER CERAMIC CAP	PHOT.CPL	: PHOTO COUPLER
C.CE.M.CHP	: CHIP MULTILAYER CERAMIC CAP	PHOT.INTR	: PHOTO INTERRUPTER
C.CE.SAFTY	: RECOGNIZED CERAMIC CAP	PHOT.RFLCT	: PHOTO REFLECTOR
C.CE.TUBLR	: CERAMIC TUBULAR CAP	PIN.TEST	: PIN,TEST POINT
C.CE.SMI	: SEMI CONDUCTIVE CERAMIC CAP	PLST.RIVET	: PLASTIC RIVET
C.EL	: ELECTROLYTIC CAP	R.ARRAY	: RESISTOR ARRAY
C.MICA	: MICA CAP	R.CAR.	: CARBON RESISTOR
C.ML.FLM	: MULTILAYER FILM CAP	R.CAR.CHP	: CHIPRESISTOR
C.MP	: METALLIZED PAPER CAP	R.CAR.FP	: FLAME PROOF CARBON RESISTOR
C.MYLAR	: MYLAR FILM CAP	R.FUS	: FUSABLE RESISTOR
C.MYLAR.ML	: MULTILAYER MYLAR FILM CAP	R.MTL.CHP	: CHIP METAL FILM RESISTOR
C.PAPER	: PAPER CAPACITOR	R.MTL.FLM	: METAL FILM RESISTOR
C.PLS	: POLYSTYRENE FILM CAP	R.MTL.OXD	: METAL OXIDE FILM RESISTOR
C.POL	: POLYESTER FILM CAP	R.MTL.PLAT	: METAL PLATE RESISTOR
C.POLY	: POLYETHYLENE FILM CAP	RSNR.CE	: CERAMIC RESONATOR
C.PP	: POLYPROPYLENE FILM CAP	RSNR.CRYS	: CRYSTAL RESONATOR
C.TNTL	: TANTALUM CAP	R.TW.CEM	: TWIN CEMENT FIXED RESISTOR
C.TNTL.CHP	: CHIP TANTALUM CAP	R.WW	: WIRE WOUND RESISTOR
C.TRIM	: TRIMMER CAP	SCR.BND.HD	: BIND HEAD B-TITE SCREW
CN	: CONNECTOR	SCR.BW.HD	: BW HEAD TAPPING SCREW
CN.BS.PIN	: CONNECTOR,BASE PIN	SCR.CUP	: CUP TITE SCREW
CN.CANNON	: CONNECTOR,CANNON	SCR.TERM	: SCREW TERMINAL
CN.DIN	: CONNECTOR,DIN	SCR.TR	: SCREW,TRANSISTOR
CN.FLAT	: CONNECTOR,FLAT CABLE	SUPRT.PCB	: SUPPORT,P.C.B.
CN.POST	: CONNECTOR,BASE POST	SURG.PRTCT	: SURGE PROTECTOR
COIL.MX.AM	: COIL,AM MIX	SW.TACT	: TACT SWITCH
COIL.AT.FM	: COIL,FM ANTENNA	SW.LEAF	: LEAF SWITCH
COIL.DT.FM	: COIL,FM DETECT	SW.LEVER	: LEVER SWITCH
COIL.MX.FM	: COIL,FM MIX	SW.MICRO	: MICRO SWITCH
COIL.OUTPT	: OUTPUT COIL	SW.PUSH	: PUSH SWITCH
DIOD.ARRAY	: DIODE ARRAY	SW.RT.ENC	: ROTARY ENCODER
DIODE.BRG	: DIODE BRIDGE	SW.RT.MTR	: ROTARY SWITCH WITH MOTOR
DIODE.CHP	: CHIP DIODE	SW.RT	: ROTARY SWITCH
DIODE.VAR	: VARACTOR DIODE	SW.SLIDE	: SLIDE SWITCH
DIOD.Z.CHP	: CHIP ZENER DIODE	TERM.SP	: SPEAKER TERMINAL
DIODE.ZENR	: ZENER DIODE	TERM.WRAP	: WRAPPING TERMINAL
DSCR.CE	: CERAMIC DISCRIMINATOR	THRMST.CHP	: CHIP THERMISTOR
FER.BEAD	: FERRITE BEADS	TR.CHP	: CHIP TRANSISTOR
FER.CORE	: FERRITE CORE	TR.DGT	: DIGITAL TRANSISTOR
FET.CHP	: CHIP FET	TR.DGT.CHP	: CHIP DIGITAL TRANSISTOR
FL.DSPLY	: FLUORESCENT DISPLAY	TRANS	: TRANSFORMER
FLTR.CE	: CERAMIC FILTER	TRANS.PULS	: PULSE TRANSFORMER
FLTR.COMB	: COMB FILTER MODULE	TRANS.PWR	: POWER TRANSFORMER ASS'Y
FLTR.LC.RF	: LC FILTER,EMI	TUNER.AM	: TUNER PACK,AM
GND.MTL	: GROUND PLATE	TUNER.FM	: TUNER PACK,FM
GND.TERM	: GROUND TERMINAL	TUNER.PK	: FRONT-ENDTUNER PACK
HOLDER.FUS	: FUSE HOLDER	VR	: ROTARY POTENTIOMETER
IC.PRTCT	: IC PROTECTOR	VR.MTR	: POTENTIOMETER WITH MOTOR
JUMPER.CN	: JUMPER CONNECTOR	VR.SW	: POTENTIOMETER WITH ROTARY SW
JUMPER.TST	: JUMPER,TEST POINT	VR.SLIDE	: SLIDE POTENTIOMETER
L.DTCT	: LIGHT DETECTING MODULE	VR.TRIM	: TRIMMER POTENTIOMETER

Note) Those parts marked with “#” are not included in the P.C.B. ass'y.

AX-496

Schm Ref.	PART NO.	Description	Rank
*	V5012200	P.C.B.	MAIN(RT)
*	V5012300	P.C.B.	MAIN(B)
*	V5012400	P.C.B.	MAIN(G)
CB501	Vi878900	CN.BS.PIN	11P
CB502	Vi878400	CN.BS.PIN	6P
CB503	VK024700	CN.BS.PIN	3P
CB504	Vi878100	CN.BS.PIN	3P
CB505	VP206500	HOLDER.FUS	EYF-52BC(G)
⚠	CB506	VG879900	CN.BS.PIN
CB507	VP206500	HOLDER.FUS	EYF-52BC(G)
CB508	VP206500	HOLDER.FUS	EYF-52BCT
CB509	VP206500	HOLDER.FUS	EYF-52BCT
CB510	VP206500	HOLDER.FUS	EYF-52BC(RT)
CB511	VP206500	HOLDER.FUS	EYF-52BC(RT)
C501	UR848100	C.EL	100uF 25V
C502	UR749100	C.EL	1000uF 25V
C503	UR848220	C.EL	220uF 25V
C504	UR848220	C.EL	220uF 25V
C505	UR848100	C.EL	100uF 25V
C506	UR868330	C.EL	330uF 50V
C507	VG287600	C.EL	100uF 25V
C508	UU137100	C.EL	10uF 16V
C509	UA952100	C.MYLAR	100pF 50V
C510	UA954100	C.MYLAR	0.01uF 50V
C511	UA952100	C.MYLAR	100pF 50V
C512	UU137100	C.EL	10uF 16V
C513	UA952100	C.MYLAR	100pF 50V
C514	VM645500	C.PP	15uF 200V
C515	VG291400	C.EL	220uF 50V
C516	UA953100	C.MYLAR	1000pF 50V
C517	VK534000	C.PP	220pF 200V
C518	UA953100	C.MYLAR	1000pF 50V
C519	VG291400	C.EL	220uF 50V
C520	UA952100	C.MYLAR	100pF 50V
C521	VM645500	C.PP	15uF 200V
C523	UA952100	C.MYLAR	100pF 50V
C524	UU137100	C.EL	10uF 16V
*	C525	Vi550600	C.MYLAR.ML
C526	UA952100	C.MYLAR	100pF 50V
C527	VK347900	C.EL	470uF 63V
C528	UA952100	C.MYLAR	100pF 50V
*	C529	Vi550600	C.MYLAR.ML
C530	UU137100	C.EL	10uF 16V
C531	UA952100	C.MYLAR	100pF 50V
C532	UR868330	C.EL	330uF 50V
C533	UR866470	C.EL	4.7uF 50V
*	C534	Vi550600	C.MYLAR.ML
C535	UA954680	C.MYLAR	0.068uF 50V
C536	UA954680	C.MYLAR	0.068uF 50V
*	C537	Vi550600	C.MYLAR.ML
C538	UR838100	C.EL	100uF 16V(RT)
C539	UR837100	C.EL	10uF 16V(RT)
C540	FG644100	C.CE	0.01uF 50V
C541	VS745400	C.POL.MTL	0.1uF 100V
⚠	C542	VS529200	C.EL
C543	VS745400	C.POL.MTL	0.1uF 100V
⚠	C544	VS529200	C.EL
C545	UR818100	C.EL	100uF 6.3V
C546	UR848330	C.EL	330uF 25V(BG)
C546	UR878220	C.EL	220uF 63V(RT)
C547	FG644100	C.CE	0.01uF 50V
C548	VS745400	C.POL.MTL	0.1uF 100V
C549	FG644100	C.CE	0.01uF 50V

* New Parts

Schm Ref.	PART NO.	Description	Rank
C550	FG644100	C.CE	0.01uF 50V
C551	UA954100	C.MYLAR	0.01uF 50V
C552	UA954100	C.MYLAR	0.01uF 50V
C553	UA954100	C.MYLAR	0.01uF 50V
C554	UA954100	C.MYLAR	0.01uF 50V
C555	UA954100	C.MYLAR	0.01uF 50V
C556	UA954100	C.MYLAR	0.01uF 50V
C557	VP918200	C.PP	0.01uF 100V
C558	VP918200	C.PP	0.01uF 100V
* ⚠	C559	V3501400	C.CE.SAFTY
C560	FG644100	C.CE	0.01uF 50V
C561	FG644100	C.CE	0.01uF 50V
* ⚠	C562	V3501400	C.CE.SAFTY
C563	UA954470	C.MYLAR	0.047uF 50V
D501	VM975900	DIODE.ZENR	HZS162TD 16V
D502	VM975900	DIODE.ZENR	HZS162TD 16V
⚠	D503	VU264100	DIODE
⚠	D504	VU264100	DIODE
⚠	D505	VU264100	DIODE
⚠	D506	VU264100	DIODE
D507	VD631600	DIODE	1SS133,176,HSS104
D508	VD631600	DIODE	1SS133,176,HSS104
D509	VD631600	DIODE	1SS133,176,HSS104
D510	VD631600	DIODE	1SS133,176,HSS104
D511	VD631600	DIODE	1SS133,176,HSS104
D512	VD631600	DIODE	1SS133,176,HSS104
D513	VD631600	DIODE	1SS133,176,HSS104
D514	VD631600	DIODE	1SS133,176,HSS104
D515	VD631600	DIODE	1SS133,176,HSS104
D516	VN008700	DIODE	1SS270A 01
D517	VN008700	DIODE	1SS270A 01
D518	VD631600	DIODE	1SS133,176,HSS104
D519	VM975600	DIODE.ZENR	HZS12B2TD 12V(RT)
D520	VU264100	DIODE	1SR139-400
⚠	D521	iH001090	DIODE.BRG
D522	VU264100	DIODE	1SR139-400
D523	VU264100	DIODE	1SR139-400
D524	VU264100	DIODE	1SR139-400
D525	VU264100	DIODE	1SR139-400
D526	VD631600	DIODE	1SS133,176,HSS104
F501	KB001660	FUSE	T1.6A 250V(BG)
⚠	F501	VS823100	FUSE
⚠	F502	VT942900	FUSE
⚠	F503	KB001660	FUSE
G501	VR463400	TERM.GND	D3.5 TP00385
L501	VP575600	COIL	1.5uH
L502	VP575600	COIL	1.5uH
PN501	V3750200	PIN	L=70(BG)
* ⚠	Q501	VC407900	TR
* ⚠	Q502	VC614000	TR
Q503	VK432900	TR	2SD1915F S,T
Q504	VK432900	TR	2SD1915F S,T
* ⚠	Q505	VE198700	TR
Q506	iA097030	TR	2SA1145 O,Y
Q507	iA097030	TR	2SA970 GR,BL
* ⚠	Q508	VE198800	TR
Q509	iC181510	TR	2SC1815 Y
Q510	iC181510	TR	2SC1815 Y
⚠	Q511	iA101510	TR
Q512	iC181510	TR	2SC1815 Y
Q513	iC181510	TR	2SC1815 Y
⚠	Q514	iA101510	TR
* ⚠	Q515	VE198800	TR

* New Parts

AX-496

Schm Ref.	PART NO.	Description	Rank
Q516	iA097030	TR	2SA970 GR,BL 01
Q517	iA097030	TR	2SA970 GR,BL 01
* Q518	VE198700	TR	2SA1145 O,Y 01
Q519	iC224030	TR	2SC2240 GR,BL 01
Q520	iP011600	TR.PAIR	2SA1358,C3421 O,Y 02
# Q521	VV857800	TR.PAIR	2SA1492,C3856 OPY 05
Q522	VK432900	TR	2SD1915F S,T 01
Q525	iP011600	TR.PAIR	2SA1358,C3421 O,Y 02
# Q526	VV857800	TR.PAIR	2SA1492,C3856 OPY 05
Q527	VK432900	TR	2SD1915F S,T 01
Q530	iC224030	TR	2SC2240 GR,BL 01
Q531	iC224030	TR	2SC2240 GR,BL 01
Q532	VP883000	TR	2SA893A D,E 01
Q533	VP883100	TR	2SC1890A D,E 01
Q534	VP883100	TR	2SC1890A D,E 01
Q535	VP768300	TR	2SC4466 O,P,Y(RT) 03
Q536	iC181510	TR	2SC1815 Y(RT) 01
Q537	iC174020	TR	2SC1740S R,S 01
R515	VP941000	R.MTL.OXD	680Ω 1W 01
R516	VP941000	R.MTL.OXD	680Ω 1W 01
R517	VP940400	R.MTL.OXD	100Ω 1W 01
R528	VP940400	R.MTL.OXD	100Ω 1W 01
R532	VP940400	R.MTL.OXD	100Ω 1W 01
R540	VP940400	R.MTL.OXD	100Ω 1W 01
R544	VP941100	R.MTL.OXD	1KΩ 1W 01
R547	VS267200	R.MTL.OXD	82Ω 1W 01
R548	VP939700	R.MTL.FLM	4.7Ω 1W 01
R549	HV756270	R.CAR.FP	2.7KΩ 1/4W 01
R550	HV755220	R.CAR.FP	220Ω 1/4W 01
R552	HV755680	R.CAR.FP	680Ω 1/4W 01
* R553	V4466300	R.WW	0.22Ω 5W 01
R554	HV755820	R.CAR.FP	820Ω 1/4W 01
R555	VP939700	R.MTL.FLM	4.7Ω 1W 01
R556	VP940200	R.MTL.OXD	47Ω 1W 01
R557	VP939700	R.MTL.FLM	4.7Ω 1W 01
R558	HV755820	R.CAR.FP	820Ω 1/4W 01
R560	HV755680	R.CAR.FP	680Ω 1/4W 01
* R561	V4466300	R.WW	0.22Ω 5W 01
R562	HV755220	R.CAR.FP	220Ω 1/4W 01
R563	HV756270	R.CAR.FP	2.7KΩ 1/4W 01
R564	VP939700	R.MTL.FLM	4.7Ω 1W 01
R565	VP941100	R.MTL.OXD	1KΩ 1W 01
R566	VP941100	R.MTL.OXD	1KΩ 1W 01
R578	HV754100	R.CAR.FP	10Ω 1/4W 01
R580	VP939800	R.MTL.OXD	10Ω 1W 01
R581	VP939800	R.MTL.OXD	10Ω 1W 01
R584	HV754100	R.CAR.FP	10Ω 1/4W 01
R593	HV753100	R.CAR.FP	1Ω 1/4W 01
R599	VP939700	R.MTL.FLM	4.7Ω 1W 01
R600	VP939700	R.MTL.FLM	4.7Ω 1W 01
RY501	VU566700	RELAY	DG24D2-OS,M 04
RY502	VK438300	RELAY	DH24D2-OT,M2 04
RY503	VK438300	RELAY	DH24D2-OT,M2 04
RY504	V2712300	RELAY	DC SDT-S-112LMR 01
ST501	BB071360	SCR.TERM	8.3x13 01
ST502	BB071360	SCR.TERM	8.3x13 01
ST503	BB071360	SCR.TERM	8.3x13 01
SW501	V4104200	SW.SLIDE	SL13B-022-AMCS 05
SW502	VA961800	VOLT.SELCT	ESE-37247-F(RT) 05
* SW503	V4466400	SW.PUSH	SDKLA1-AP1 TV-5 (BG) (RT)
T501	XV445A00	TRANS.PWR	(BG) (RT)
T501	XW607A00	TRANS.PWR	(RT)
* TE501	V4466700	CN.OUTLET	S2-763T-206(G)

* New Parts

Schm Ref.	PART NO.	Description	Rank
TE501	V4746500	OUTLET.AC	3P(RT)
TE501	VU543300	OUTLET.AC	1P(B)
TE502	V4811400	TERM.SP	8P(BG)
TE502	VC313700	TERM.SP	8P(RT)
	BB070700	GND.MTL	
	V5012600	P.C.B.	FUNCTION
CB101	VK026700	CN.BS.PIN	8P
CB102	Vi878600	CN.BS.PIN	8P
CB104	VK015400	CN.BS.PIN	13P
CB105	Vi878200	CN.BS.PIN	4P
CB106	Vi878200	CN.BS.PIN	4P
CB109	Vi878200	CN.BS.PIN	4P
CB110	Vi878000	CN.BS.PIN	2P
CB111	Vi878900	CN.BS.PIN	11P
CB112	VK027000	CN.BS.PIN	11P
CB113	Vi878900	CN.BS.PIN	11P
CB114	VK025500	CN.BS.PIN	11P
CB115	VB858600	CN.BS.PIN	7P
CB116	VK027000	CN.BS.PIN	11P
CB119	Vi878000	CN.BS.PIN	2P
CB120	Vi878200	CN.BS.PIN	4P
CB121	VK026500	CN.BS.PIN	6P
C101	VK533900	C.PP	100pF 200V
C102	VK533900	C.PP	100pF 200V
C103	VQ645600	C.MYLAR	100pF 50V
C104	VQ645600	C.MYLAR	100pF 50V
C106	VF466800	C.CE.TUBLR	100pF 50V
C107	VF466800	C.CE.TUBLR	100pF 50V
C108	VK533800	C.PP	47pF 200V
C109	VK533800	C.PP	47pF 200V
C110	VF466800	C.CE.TUBLR	100pF 50V
C111	VF466800	C.CE.TUBLR	100pF 50V
C112	VK533800	C.PP	47pF 200V
C113	VK533800	C.PP	47pF 200V
C115	VF466800	C.CE.TUBLR	100pF 50V
C116	VF466800	C.CE.TUBLR	100pF 50V
C117	VQ462600	C.MYLAR	220pF 50V
C118	VG286300	C.EL	220uF 10V
C119	VG286300	C.EL	220uF 10V
C120	VQ462600	C.MYLAR	220pF 50V
C121	UA952100	C.MYLAR	100pF 50V
C122	UU137100	C.EL	10uF 16V
C123	UA952100	C.MYLAR	100pF 50V
C124	UU137100	C.EL	10uF 16V
C125	VG287200	C.EL	10uF 50V
C126	UA954330	C.MYLAR	0.033uF 50V
C127	UA653910	C.MYLAR	9100pF 50V
C128	UA954330	C.MYLAR	0.033uF 50V
C129	UA653910	C.MYLAR	9100pF 50V
C130	VG287200	C.EL	10uF 50V
C131	VG287600	C.EL	100uF 25V
C132	VG287800	C.EL	330uF 16V
C133	VG287800	C.EL	330uF 16V
C134	VG287600	C.EL	100uF 25V
C135	Vi715900	C.MYLAR	2200pF 50V
C136	VG287600	C.EL	100uF 25V
C137	VG287600	C.EL	100uF 25V
C138	Vi715900	C.MYLAR	2200pF 50V
C141	UR838100	C.EL	100uF 16V
C142	UR838100	C.EL	100uF 16V

* New Parts

AX-496

Schm Ref.	PART NO.	Description	Rank
C143	UR838100	C.EL 100uF 16V	01
C144	UR838100	C.EL 100uF 16V	01
C145	VJ599100	C.CE.TUBLR 0.1uF 50V	01
C146	UN866100	C.EL 1uF 50V	01
C147	UA953220	C.MYLAR 2200pF 50V	01
C148	UA953220	C.MYLAR 2200pF 50V	01
C149	VG278900	C.CE.TUBLR 680pF 50V	01
* C150	UA954560	C.MYLAR 0.056uF 50V	01
* C151	UA954560	C.MYLAR 0.056uF 50V	01
* C152	VG278900	C.CE.TUBLR 680pF 50V	01
C153	VG290800	C.EL 4.7uF 63V	01
C154	VK533800	C.PP 47pF 200V	01
C155	VG286500	C.EL 470uF 10V	01
C156	VG286500	C.EL 470uF 10V	01
C157	VK533800	C.PP 47pF 200V	01
* C158	VG290800	C.EL 4.7uF 63V	01
* C159	VG290300	C.EL 0.47uF 50V	01
C160	VG278400	C.CE.TUBLR 220pF 50V	01
C161	VG278400	C.CE.TUBLR 220pF 50V	01
* C162	VG290300	C.EL 0.47uF 50V	01
* C163	VG290800	C.EL 4.7uF 63V	01
C164	UA953220	C.MYLAR 2200pF 50V	01
C165	UA952330	C.MYLAR 330pF 50V	01
C166	UA952330	C.MYLAR 330pF 50V	01
C167	UA953220	C.MYLAR 2200pF 50V	01
* C168	VG290800	C.EL 4.7uF 63V	01
* C169	VF466700	C.CE.TUBLR 47pF 50V	01
* C170	VG290800	C.EL 4.7uF 63V	01
* C171	VG290800	C.EL 4.7uF 63V	01
C172	VF466700	C.CE.TUBLR 47pF 50V	01
C173	VG287600	C.EL 100uF 25V	01
C174	VG287600	C.EL 100uF 25V	01
* C175	VE326100	C.MYLAR.ML 0.12uF 50V	01
* C176	VG287500	C.EL 47uF 50V	01
* C177	VE326100	C.MYLAR.ML 0.12uF 50V	01
* C178	UA954330	C.MYLAR 0.033uF 50V	01
* C179	VE326100	C.MYLAR.ML 0.12uF 50V	01
C180	UA954330	C.MYLAR 0.033uF 50V	01
C181	VG287500	C.EL 47uF 50V	01
* C182	VE326100	C.MYLAR.ML 0.12uF 50V	01
C183	UR818100	C.EL 100uF 6.3V	01
C184	VG287600	C.EL 100uF 25V	01
C185	VG287500	C.EL 47uF 50V	01
C186	VG287500	C.EL 47uF 50V	01
C187	VG287600	C.EL 100uF 25V	01
C188	UR817470	C.EL 47uF 6.3V	01
C189	VU545000	C.EL 47000uF 5.5V	01
C190	UR818220	C.EL 220uF 6.3V	01
C191	UR866220	C.EL 2.2uF 50V	01
C192	UR866100	C.EL 1uF 50V	01
* C193	VG286300	C.EL 220uF 10V	01
C194	VF467100	C.CE.TUBLR 4700pF 16V	01
C195	VF467100	C.CE.TUBLR 4700pF 16V	01
* C196	VG286300	C.EL 220uF 10V	01
C203	FG644100	C.CE 0.01uF 50V	01
C204	FG644100	C.CE 0.01uF 50V	01
C207	UA954100	C.MYLAR 0.01uF 50V	01
C208	UA954100	C.MYLAR 0.01uF 50V	01
C209	UA954100	C.MYLAR 0.01uF 50V	01
C210	UA954100	C.MYLAR 0.01uF 50V	01
C211	VJ599000	C.CE.TUBLR 0.047uF 16V	01
C212	UR848470	C.EL 470uF 25V	01
C213	UM397100	C.EL 10uF 16V	01

* New Parts

Schm Ref.	PART NO.	Description	Rank
C215	UA954100	C.MYLAR 0.01uF 50V	01
D101	VM974200	DIODE.ZENR HZS5C2TD 5.0V	01
D102	VR711500	LED(or) SLR-325DC	01
D103	VR711500	LED(or) SLR-325DC	01
D106	VR711500	LED(or) SLR-325DC	01
D107	VR711500	LED(or) SLR-325DC	01
D108	VR711500	LED(or) SLR-325DC	01
D109	VR711500	LED(or) SLR-325DC	01
D110	VR711500	LED(or) SLR-325DC	01
D111	VR711500	LED(or) SLR-325DC	01
D113	VD631600	DIODE 1SS133,176,HSS104	01
D114	VD631600	DIODE 1SS133,176,HSS104	01
D115	VD631600	DIODE 1SS133,176,HSS104	01
D116	VD631600	DIODE 1SS133,176,HSS104	01
D117	VM974600	DIODE.ZENR HZS7A2TD 7.0V	01
D118	VM974500	DIODE.ZENR HZS6C2TD 6.0V	01
D120	VS132300	LED(re) SLR-325VCT31	01
D126	VM974000	DIODE.ZENR HZS5A2TD 5.0V	01
D127	VM974000	DIODE.ZENR HZS5A2TD 5.0V	01
D128	VM973800	DIODE.ZENR HZS4B2TD 4.0V	01
D129	VD631600	DIODE 1SS133,176,HSS104	01
IC101	XY346B00	IC.CPU M37478M4-409SP CPU	01
IC102	XM356A00	IC NJM2068LD	01
IC103	XM356A00	IC NJM2068LD	01
IC104	XP894A00	IC LC78211	01
IC105	XP894A00	IC LC78211	01
IC106	XF494A00	IC LB1641	03
IC107	XM356A00	IC NJM2068LD	01
IC108	XM356A00	IC NJM2068LD	01
IC109	XM356A00	IC NJM2068LD	01
* JK101	V4478300	JACK.PHONE JY-6317Y-03-030	01
L101	VB056900	COIL 220uH	01
L102	VB056900	COIL 220uH	01
* PJ101	VY862900	JACK.PIN 2P	01
* PJ102	V5266800	JACK.PIN RJ-1060-10-0541A	01
PJ103	VV306900	JACK.PIN 4P	01
PJ104	VV306900	JACK.PIN 4P	01
PJ105	VV306900	JACK.PIN 4P	01
PN101	V3750100	PIN L=50	01
PN102	V3750100	PIN L=50	01
PN104	V3750100	PIN L=50	01
PN105	V3750100	PIN L=50	01
PN106	V3750100	PIN L=50	01
Q101	VK432900	TR 2SD1915F S,T	01
Q102	VK432900	TR 2SD1915F S,T	01
Q104	VG722000	TR.DGT DTC144ES	03
Q105	iC181510	TR 2SC1815 Y	01
Q106	iA101510	TR 2SA1015 Y	01
Q107	VP872700	TR 2SC4488 S,T	01
Q108	iA093320	TR 2SA933S Q,R	01
Q109	iA101510	TR 2SA1015 Y	01
Q110	VK432900	TR 2SD1915F S,T	01
R151	VP940400	R.MTL.OXD 100Ω 1W	01
R152	VP940400	R.MTL.OXD 100Ω 1W	01
* R162	VP940800	R.MTL.OXD 470Ω 1W	01
* R163	VP940800	R.MTL.OXD 470Ω 1W	01
R171	HV754100	R.CAR.FP 10Ω 1/4W	01
ST101	BB071360	SCR.TERM 8.3x13	01
SW101	VV399800	SW.PUSH SPUN12	01
SW102	VV399900	SW.PUSH SPUN12	01
* SW103	V5232400	SW.RT SRBU16X001	01
SW104	V2014900	SW.TACT EVQ21304M	01
* SW107	V4859200	SW.RT.ENC REB161PHB20	01

* New Parts

AX-496

Schm Ref.	PART NO.	Description	Rank	
SW108	VV523900	SW.PUSH	PBS-YM-001	
U101	VU591000	L.DTCT	GP1U271X	
VR101	V4915000	VR.MTR	A100KΩ	
VR103	VP700700	VR	A100KΩ	
VR105	VP742000	VR	MN100KΩ	03
VR106	VP741800	VR	B20KΩ	03
VR107	VP741900	VR	G25KΩ	03
XL101	VE906000	RSNR.CE	4MHz	02

* New Parts

Schm Ref.	PART NO.	Description	Rank
-----------	----------	-------------	------

* New Parts

AX-396

Schm Ref.	PART NO.	Description	Rank
	V5011700	P.C.B.	MAIN(J)
	V5011800	P.C.B.	MAIN(R)
	V5011900	P.C.B.	MAIN(A)
	V5012000	P.C.B.	MAIN(B)
	V5012100	P.C.B.	MAIN(G)
CB501	Vi878900	CN.BS.PIN	11P
CB502	Vi878400	CN.BS.PIN	6P
CB503	VK024700	CN.BS.PIN	3P
CB504	Vi878100	CN.BS.PIN	3P
CB505	VP206500	HOLDER.FUS	EYF-52BC(G)
CB506	VG879900	CN.BS.PIN	2P
CB507	VP206500	HOLDER.FUS	EYF-52BC(G)
CB508	VP206500	HOLDER.FUS	EYF-52BCT
CB509	VP206500	HOLDER.FUS	EYF-52BCT
CB510	VP206500	HOLDER.FUS	EYF-52BC(R)
CB511	VP206500	HOLDER.FUS	EYF-52BC(R)
C501	UR848100	C.EL	100uF 25V
C502	UR768470	C.EL	470uF 50V
C503	UR848220	C.EL	220uF 25V
C504	UR848220	C.EL	220uF 25V
C505	UR848100	C.EL	100uF 25V
C506	UR868330	C.EL	330uF 50V
C507	VG287600	C.EL	100uF 25V
C508	VG287200	C.EL	10uF 50V
C509	UA952100	C.MYLAR	100pF 50V
C510	UA954100	C.MYLAR	0.01uF 50V
C511	UA952100	C.MYLAR	100pF 50V
C512	VG287200	C.EL	10uF 50V
C513	UA952100	C.MYLAR	100pF 50V
C514	VM645500	C.PP	15uF 200V
C515	VG291400	C.EL	220uF 50V
C516	UA953100	C.MYLAR	1000pF 50V
C517	VK534000	C.PP	220pF 200V
C518	UA953100	C.MYLAR	1000pF 50V
C519	VG291400	C.EL	220uF 50V
C520	UA952100	C.MYLAR	100pF 50V
C521	VM645500	C.PP	15uF 200V
C522	UA952100	C.MYLAR	100pF 50V
C523	VG287200	C.EL	10uF 50V
C524	Vi550600	C.MYLAR.ML	0.1uF 50V
C525	UA952100	C.MYLAR	100pF 50V
C526	VK347900	C.EL	470uF 63V
C527	UA952100	C.MYLAR	100pF 50V
C528	Vi550600	C.MYLAR.ML	0.1uF 50V
C529	VG287200	C.EL	10uF 50V
C530	UA952100	C.MYLAR	100pF 50V
C531	UR868330	C.EL	330uF 50V
C532	UR866470	C.EL	4.7uF 50V
C533	Vi550600	C.MYLAR.ML	0.1uF 50V
C534	UA954680	C.MYLAR	0.068uF 50V
C535	UA954680	C.MYLAR	0.068uF 50V
C536	Vi550600	C.MYLAR.ML	0.1uF 50V
C537	UR838100	C.EL	100uF 16V(R)
C538	UR837100	C.EL	10uF 16V(R)
C539	FG644100	C.CE	0.01uF 50V
C540	VS745400	C.POL.MTL	0.1uF 100V
C541	VR024000	C.EL	6800uF 56V
C542	VS745400	C.POL.MTL	0.1uF 100V
C543	VR024000	C.EL	6800uF 56V
C544	UR818100	C.EL	100uF 6.3V
C545	UR848330	C.EL	330uF 25V(JABG)
C546	UR878220	C.EL	220uF 63V(R)
C547	FG644100	C.CE	0.01uF 50V

Schm Ref.	PART NO.	Description	Rank
C548	VS745400	C.POL.MTL	0.1uF 100V
C549	FG644100	C.CE	0.01uF 50V
C550	FG644100	C.CE	0.01uF 50V
C551	UA954100	C.MYLAR	0.01uF 50V(ABG)
C552	UA954100	C.MYLAR	0.01uF 50V(ABG)
C553	UA954100	C.MYLAR	0.01uF 50V(ABG)
C554	UA954100	C.MYLAR	0.01uF 50V(ABG)
C555	UA954100	C.MYLAR	0.01uF 50V(ABG)
C556	UA954100	C.MYLAR	0.01uF 50V(ABG)
C557	VP918200	C.PP	0.01uF 100V(ABG)
C558	VP918200	C.PP	0.01uF 100V(ABG)
C559	V3501400	C.CE.SAFTY	0.01uF 275V
C560	FG644100	C.CE	0.01uF 50V
C561	FG644100	C.CE	0.01uF 50V
C562	V3501400	C.CE.SAFTY	0.01uF 275V
C563	UA954470	C.MYLAR	0.047uF 50V
D501	VM975900	DIODE.ZENR	HZS162TD 16V
D502	VM975900	DIODE.ZENR	HZS162TD 16V
D503	VU264100	DIODE	1SR139-400
D504	VU264100	DIODE	1SR139-400
D505	VU264100	DIODE	1SR139-400
D506	VU264100	DIODE	1SR139-400
D507	VD631600	DIODE	1SS133,176,HSS104
D508	VD631600	DIODE	1SS133,176,HSS104
D509	VD631600	DIODE	1SS133,176,HSS104
D510	VD631600	DIODE	1SS133,176,HSS104
D511	VD631600	DIODE	1SS133,176,HSS104
D512	VD631600	DIODE	1SS133,176,HSS104
D513	VD631600	DIODE	1SS133,176,HSS104
D514	VD631600	DIODE	1SS133,176,HSS104
D515	VD631600	DIODE	1SS133,176,HSS104
D516	VN008700	DIODE	1SS270A
D517	VN008700	DIODE	1SS270A
D518	VD631600	DIODE	1SS133,176,HSS104
D519	VM975600	DIODE.ZENR	HZS12B2TD 12V(R)
D520	VU264100	DIODE	1SR139-400
D521	iH001090	DIODE.BRG	S4VB20 2.6A 200V
D522	VU264100	DIODE	1SR139-400
D523	VU264100	DIODE	1SR139-400
D524	VU264100	DIODE	1SR139-400
D525	VU264100	DIODE	1SR139-400
D526	VD631600	DIODE	1SS133,176,HSS104
F501	KB001660	FUSE	T1.6A 250V(ABG)
F501	VS823100	FUSE	6.0A 125V(JR)
F502	VT942900	FUSE	TH2.5A 250V(G)
F503	KB001660	FUSE	T1.6A 250V(R)
G501	VR463400	TERM.GND	D3.5 TP00385
HS501	VS231000	HEAT.SINK	OSH-1035
L501	VP575600	COIL	1.5uH
L502	VP575600	COIL	1.5uH
PN501	V3750200	PIN	L=70(JABG)
Q501	VC407900	TR	2SD1913 R,S
Q502	VC614000	TR	2SB1274 Q,R,S
Q503	VK432900	TR	2SD1915F S,T
Q504	VK432900	TR	2SD1915F S,T
Q505	VE198700	TR	2SA1145 O,Y
Q506	iA097030	TR	2SA970 GR,BL
Q507	iA097030	TR	2SA970 GR,BL
Q508	VE198800	TR	2SC2705 O,Y
Q509	iC181510	TR	2SC1815 Y
Q510	iC181510	TR	2SC1815 Y
Q511	iA101510	TR	2SA1015 Y
Q512	iC181510	TR	2SC1815 Y

* New Parts

* New Parts

AX-396

Schm Ref.	PART NO.	Description	Rank	Schm Ref.	PART NO.	Description	Rank	
	Q513	iC181510 TR	2SC1815 Y	01		SW502 VA961800 VOLT.SELECT	ESE-37247-F(R)	05
▲	Q514	iA101510 TR	2SA1015 Y	01	* ▲	SW503 V4466400 SW.PUSH	SDKLA1-AP1 TV-5	
* ▲	Q515	VE198800 TR	2SC2705 O,Y	01	▲	T501 XV442A00 TRANS.PWR	(J)	
	Q516	iA097030 TR	2SA970 GR,BL	01	▲	T501 XV445A00 TRANS.PWR	(ABG)	
	Q517	iA097030 TR	2SA970 GR,BL	01	▲	T501 XW607A00 TRANS.PWR	(R)	
* ▲	Q518	VE198700 TR	2SA1145 O,Y	01	▲	TE501 VV118800 OUTLET.AC	3P(J)	
	Q519	iC224030 TR	2SC2240 GR,BL	01	* ▲	TE501 V4466700 OUTLET.AC	S2-763T-206(G)	
▲	Q520	iP011600 TR.PAIR	2SA1358,C3421 O,Y	02	▲	TE501 V4746500 OUTLET.AC	3P(R)	
# ▲	Q521	VV586400 TR.PAIR	2SA1695,C4468 OPY		▲	TE501 VT915000 OUTLET.AC	2P(A)	
▲	Q522	VK432900 TR	2SD1915F S,T	01	▲	TE501 VU543300 OUTLET.AC	1P(B)	
▲	Q525	iP011600 TR.PAIR	2SA1358,C3421 O,Y	02	▲	TE501 V4811400 TERM.SP	8P(ABG)	
# ▲	Q526	VV586400 TR.PAIR	2SA1695,C4468 OPY		TE502	V4811400 TERM.SP	8P(JR)	05
▲	Q527	VK432900 TR	2SD1915F S,T	01	* ▲	TE502 VC313700 TERM.SP	8P(JR)	05
	Q530	iC224030 TR	2SC2240 GR,BL	01		BB070700 GND.MTL		01
	Q531	iC224030 TR	2SC2240 GR,BL	01		EP630210 SCR.BND.HD	3x6 ZMC2-BL	01
	Q532	VP883000 TR	2SA893A D,E					
▲	Q533	VP883100 TR	2SC1890A D,E	01				
▲	Q534	VP883100 TR	2SC1890A D,E	01	* ▲	V5012500 P.C.B.	FUNCTION	
	Q535	VP768300 TR	2SC4466 O,P,Y(R)	03		CB101 VK026700 CN.BS.PIN	8P	
	Q536	iC181510 TR	2SC1815 Y(R)	01		CB102 Vi878600 CN.BS.PIN	8P	04
	Q537	iC174020 TR	2SC1740S R,S	01	* ▲	CB104 VK015400 CN.BS.PIN	13P	01
	R501	VC758300 R.MTL.OXD	68Ω 2W	01		CB105 Vi878200 CN.BS.PIN	4P	
*	R504	VC758700 R.MTL.OXD	100Ω 2W	01		CB106 Vi878200 CN.BS.PIN	4P	
	R515	VP941000 R.MTL.OXD	680Ω 1W	01		CB109 Vi878200 CN.BS.PIN	4P	
	R516	VP941000 R.MTL.OXD	680Ω 1W	01		CB110 Vi878000 CN.BS.PIN	2P	01
▲	R517	VP940400 R.MTL.OXD	100Ω 1W	01		CB111 Vi878900 CN.BS.PIN	11P	01
▲	R528	VP940400 R.MTL.OXD	100Ω 1W	01		CB112 VK027000 CN.BS.PIN	11P	
▲	R532	VP940400 R.MTL.OXD	100Ω 1W	01		CB113 Vi878900 CN.BS.PIN	11P	01
▲	R540	VP940400 R.MTL.OXD	100Ω 1W	01		CB114 VK025500 CN.BS.PIN	11P	01
▲	R544	VP941000 R.MTL.OXD	680Ω 1W	01	* ▲	CB115 VB858600 CN.BS.PIN	7P	01
▲	R547	VP940000 R.MTL.OXD	22Ω 1W	01		CB116 VK027000 CN.BS.PIN	11P	
▲	R548	VP939700 R.MTL.FLM	4.7Ω 1W	01		CB117 Vi878000 CN.BS.PIN	2P	01
▲	R549	HV756270 R.CAR.FP	2.7KΩ 1/4W	01		CB118 VK024600 CN.BS.PIN	2P	
▲	R550	HV755220 R.CAR.FP	220Ω 1/4W	01		CB119 Vi878000 CN.BS.PIN	2P	01
▲	R552	HV755680 R.CAR.FP	680Ω 1/4W	01		CB120 Vi878200 CN.BS.PIN	4P	
* ▲	R553	V3873200 R.WW	0.22Ω 3W	01		CB121 VK026500 CN.BS.PIN	6P	
▲	R554	HV755820 R.CAR.FP	820Ω 1/4W	01		C101 VK533900 C.PP	100pF 200V	01
▲	R555	VP939700 R.MTL.FLM	4.7Ω 1W	01		C102 VK533900 C.PP	100pF 200V	01
▲	R556	VP940200 R.MTL.OXD	47Ω 1W	01		C103 VQ645600 C.MYLAR	100pF 50V	
▲	R557	VP939700 R.MTL.FLM	4.7Ω 1W	01		C104 VQ645600 C.MYLAR	100pF 50V	
▲	R558	HV755820 R.CAR.FP	820Ω 1/4W	01		C106 VF466800 C.CE.TUBLR	100pF 50V	01
▲	R560	HV755680 R.CAR.FP	680Ω 1/4W	01		C107 VF466800 C.CE.TUBLR	100pF 50V	01
* ▲	R561	V3873200 R.WW	0.22Ω 3W	01		C108 VK533800 C.PP	47pF 200V	01
▲	R562	HV755220 R.CAR.FP	220Ω 1/4W	01		C109 VK533800 C.PP	47pF 200V	01
▲	R563	HV756270 R.CAR.FP	2.7KΩ 1/4W	01		C110 VF466800 C.CE.TUBLR	100pF 50V	01
▲	R564	VP939700 R.MTL.FLM	4.7Ω 1W	01		C111 VF466800 C.CE.TUBLR	100pF 50V	01
▲	R565	VP941000 R.MTL.OXD	680Ω 1W	01		C112 VK533800 C.PP	47pF 200V	01
▲	R566	VP941000 R.MTL.OXD	680Ω 1W	01		C113 VK533800 C.PP	47pF 200V	01
▲	R578	HV754100 R.CAR.FP	10Ω 1/4W	01		C115 VF466800 C.CE.TUBLR	100pF 50V	01
▲	R580	VP939800 R.MTL.OXD	10Ω 1W	01		C116 VF466800 C.CE.TUBLR	100pF 50V	01
▲	R581	VP939800 R.MTL.OXD	10Ω 1W	01	* ▲	C117 VQ462600 C.MYLAR	220pF 50V	01
▲	R584	HV754100 R.CAR.FP	10Ω 1/4W	01	* ▲	C118 VG286300 C.EL	220uF 10V	01
▲	R593	HV753100 R.CAR.FP	1Ω 1/4W	01	* ▲	C119 VG286300 C.EL	220uF 10V	01
▲	R599	VP939700 R.MTL.FLM	4.7Ω 1W(ABG)	01	* ▲	C120 VQ462600 C.MYLAR	220pF 50V	01
▲	R600	VP939700 R.MTL.FLM	4.7Ω 1W(ABG)	01		C121 UA952100 C.MYLAR	100pF 50V	01
▲	RY501	VU566700 RELAY	DG24D2-OS/M			C122 VG287200 C.EL	10uF 50V	01
▲	RY502	VK438300 RELAY	DH24D2-OT/M2	04		C123 UA952100 C.MYLAR	100pF 50V	01
▲	RY503	VK438300 RELAY	DH24D2-OT/M2	04		C124 VG287200 C.EL	10uF 50V	01
▲	RY504	V2712300 RELAY	DC SDT-S-112LMR			C125 VG287200 C.EL	10uF 50V	01
▲	ST501	BB071360 SCR.TERM	8.3x13	01		C126 UA954330 C.MYLAR	0.033uF 50V	01
▲	ST502	BB071360 SCR.TERM	8.3x13	01		C127 UA653910 C.MYLAR	9100pF 50V	01
▲	ST503	BB071360 SCR.TERM	8.3x13	01		C128 UA954330 C.MYLAR	0.033uF 50V	01
▲	SW501	V4104200 SW.SLIDE	SL13B-022-AMCS			C129 UA653910 C.MYLAR	9100pF 50V	01

* New Parts

* New Parts

AX-396

Schm Ref.	PART NO.	Description	Rank
C130	VG287200	C.EL 10uF 50V	01
C131	VG287600	C.EL 100uF 25V	01
C132	VG287800	C.EL 330uF 16V	01
C133	VG287800	C.EL 330uF 16V	01
C134	VG287600	C.EL 100uF 25V	01
C135	Vi715900	C.MYLAR 2200pF 50V	01
C136	VG287600	C.EL 100uF 25V	01
C137	VG287600	C.EL 100uF 25V	01
C138	Vi715900	C.MYLAR 2200pF 50V	01
C143	UR838100	C.EL 100uF 16V	01
C144	UR838100	C.EL 100uF 16V	01
C145	VJ599100	C.CE.TUBLR 0.1uF 50V	01
C146	UN866100	C.EL 1uF 50V	01
C147	UA953220	C.MYLAR 2200pF 50V	01
C148	UA953220	C.MYLAR 2200pF 50V	01
C149	VG278900	C.CE.TUBLR 680pF 50V	01
C150	UA954560	C.MYLAR 0.056uF 50V	01
C151	UA954560	C.MYLAR 0.056uF 50V	01
C152	VG278900	C.CE.TUBLR 680pF 50V	01
C153	VG290800	C.EL 4.7uF 63V	01
C154	VK533800	C.PP 47pF 200V	01
C155	VG286500	C.EL 470uF 10V	01
C156	VG286500	C.EL 470uF 10V	01
C157	VK533800	C.PP 47pF 200V	01
C158	VG290800	C.EL 4.7uF 63V	01
C159	VG290300	C.EL 0.47uF 50V	01
C160	VG278400	C.CE.TUBLR 220pF 50V	01
C161	VG278400	C.CE.TUBLR 220pF 50V	01
C162	VG290300	C.EL 0.47uF 50V	01
C163	VG290800	C.EL 4.7uF 63V	01
C164	UA953220	C.MYLAR 2200pF 50V	01
C165	UA952330	C.MYLAR 330pF 50V	01
C166	UA952330	C.MYLAR 330pF 50V	01
C167	UA953220	C.MYLAR 2200pF 50V	01
C168	VG290800	C.EL 4.7uF 63V	01
C169	VF466700	C.CE.TUBLR 47pF 50V	01
C170	VG290800	C.EL 4.7uF 63V	01
C171	VG290800	C.EL 4.7uF 63V	01
C172	VF466700	C.CE.TUBLR 47pF 50V	01
C173	VG287600	C.EL 100uF 25V	01
C174	VG287600	C.EL 100uF 25V	01
C175	VE326100	C.MYLAR.ML 0.12uF 50V	01
C176	VG287500	C.EL 47uF 50V	01
C177	VE326100	C.MYLAR.ML 0.12uF 50V	01
C178	UA954330	C.MYLAR 0.033uF 50V	01
C179	VE326100	C.MYLAR.ML 0.12uF 50V	01
C180	UA954330	C.MYLAR 0.033uF 50V	01
C181	VG287500	C.EL 47uF 50V	01
C182	VE326100	C.MYLAR.ML 0.12uF 50V	01
C183	UR818100	C.EL 100uF 6.3V	01
C184	VG287600	C.EL 100uF 25V	01
C185	VG287500	C.EL 47uF 50V	01
C186	VG287500	C.EL 47uF 50V	01
C187	VG287600	C.EL 100uF 25V	01
C188	UR817470	C.EL 47uF 6.3V	01
C189	VU545000	C.EL 47000uF 5.5V	01
C190	UR818220	C.EL 220uF 6.3V	01
C191	UR866220	C.EL 2.2uF 50V	01
C192	UR866100	C.EL 1uF 50V	01
C193	VG286300	C.EL 220uF 10V	01
C194	VF467100	C.CE.TUBLR 4700pF 16V	01
C195	VF467100	C.CE.TUBLR 4700pF 16V	01
C196	VG286300	C.EL 220uF 10V	01

* New Parts

Schm Ref.	PART NO.	Description	Rank
C200	UR837470	C.EL 47uF 16V	01
C201	UR837470	C.EL 47uF 16V	01
C203	FG644100	C.CE 0.01uF 50V	01
C204	FG644100	C.CE 0.01uF 50V	01
C205	UA954100	C.MYLAR 0.01uF 50V	01
C206	UA954100	C.MYLAR 0.01uF 50V	01
C207	UA954100	C.MYLAR 0.01uF 50V	01
C208	UA954100	C.MYLAR 0.01uF 50V	01
C209	UA954100	C.MYLAR 0.01uF 50V	01
C210	UA954100	C.MYLAR 0.01uF 50V	01
C211	VJ599000	C.CE.TUBLR 0.047uF 16V	01
C212	UR848100	C.EL 100uF 25V	01
C213	UM397100	C.EL 10uF 16V	01
C214	UA655100	C.MYLAR 0.1uF 50V	01
C215	UA954100	C.MYLAR 0.01uF 50V	01
D101	VM974200	DIODE.ZENR HZS5C2TD 5.0V	01
D102	VR711500	LED(or) SLR-325DC	01
D103	VR711500	LED(or) SLR-325DC	01
D106	VR711500	LED(or) SLR-325DC	01
D107	VR711500	LED(or) SLR-325DC	01
D108	VR711500	LED(or) SLR-325DC	01
D109	VR711500	LED(or) SLR-325DC	01
D110	VR711500	LED(or) SLR-325DC	01
D111	VR711500	LED(or) SLR-325DC	01
D113	VD631600	DIODE 1SS133,176,HSS104	01
D114	VD631600	DIODE 1SS133,176,HSS104	01
D115	VD631600	DIODE 1SS133,176,HSS104	01
D116	VD631600	DIODE 1SS133,176,HSS104	01
D117	VM974600	DIODE.ZENR HZS7A2TD 7.0V	01
D118	VM974500	DIODE.ZENR HZS6C2TD 6.0V	01
D120	VS132300	LED(re) SLR-325VCT31	01
D123	VM975100	DIODE.ZENR HZS9C2TD 9.0V	01
D124	VM975100	DIODE.ZENR HZS9C2TD 9.0V	01
D125	VM975200	DIODE.ZENR HZS11A2TD 11V	01
D126	VM974000	DIODE.ZENR HZS5A2TD 5.0V	01
D127	VM974000	DIODE.ZENR HZS5A2TD 5.0V	01
D128	VM973800	DIODE.ZENR HZS4B2TD 4.0V	01
D129	VD631600	DIODE 1SS133,176,HSS104	01
D131	VD631600	DIODE 1SS133,176,HSS104	01
IC101	XY346B00	IC.CPU M37478M4-409SP CPU	01
IC102	XM356A00	IC NJM2068LD	01
IC103	XM356A00	IC NJM2068LD	01
IC105	XP894A00	IC LC78211	03
IC106	XF494A00	IC LB1641	01
IC107	XM356A00	IC NJM2068LD	01
IC108	XM356A00	IC NJM2068LD	01
IC109	XM356A00	IC NJM2068LD	01
IC110	iG055100	IC TC4053BP	05
JK101	V4478300	JACK.PHONE JY-6317Y-03-030	01
L101	VB056900	COIL 220uH	01
L102	VB056900	COIL 220uH	01
PJ101	VY862900	JACK.PIN 2P	01
PJ102	VY862900	JACK.PIN 2P	01
PJ103	VV306900	JACK.PIN 4P	01
PJ104	VV306900	JACK.PIN 4P	01
PJ105	VV306900	JACK.PIN 4P	01
PN101	V3750100	PIN L=50	01
PN102	V3750100	PIN L=50	01
PN104	V3750100	PIN L=50	01
PN105	V3750100	PIN L=50	01
PN106	V3750100	PIN L=50	01
Q101	VK432900	TR 2SD1915F S,T	01
Q102	VK432900	TR 2SD1915F S,T	01

* New Parts

AX-396

Schm Ref.	PART NO.	Description		Rank
Q104	VG722000	TR.DGT	DTC144ES	03
Q105	iC181510	TR	2SC1815 Y	01
Q106	iA101510	TR	2SA1015 Y	01
Q107	VP872700	TR	2SC4488 S,T	
Q108	iA093320	TR	2SA933S Q,R	
Q109	iA101510	TR	2SA1015 Y	01
Q110	VK432900	TR	2SD1915F S,T	01
Q111	iC181510	TR	2SC1815 Y	01
Q112	iC181510	TR	2SC1815 Y	01
R151	VP940400	R.MTL.OXD	100Ω 1W	01
R152	VP940400	R.MTL.OXD	100Ω 1W	01
* R162	VP940800	R.MTL.OXD	470Ω 1W	01
* R163	VP940800	R.MTL.OXD	470Ω 1W	01
R171	HV754100	R.CAR.FP	10Ω 1/4W	01
ST101	BB071360	SCR.TERM	8.3x13	01
* ST102	V5492900	SCR.TERM		
SW101	VV399800	SW.PUSH	SPUN12	
SW104	V2014900	SW.TACT	EVQ21304M	
SW105	V2014900	SW.TACT	EVQ21304M	
* SW107	V4859200	SW.RT.ENC	REB161PHB20	
SW108	VV523900	SW.PUSH	PBS-YM-001	
* U101	VU591000	L.DTCT	GP1U271X	
VR101	V4915000	VR.MTR	A100KΩ	
VR103	VP700700	VR	A100KΩ	
VR105	VP742000	VR	MN100KΩ	03
VR106	VP741800	VR	B20KΩ	03
VR107	VP741900	VR	G25KΩ	03
XL101	VE906000	RSNR.CE	4MHz	02

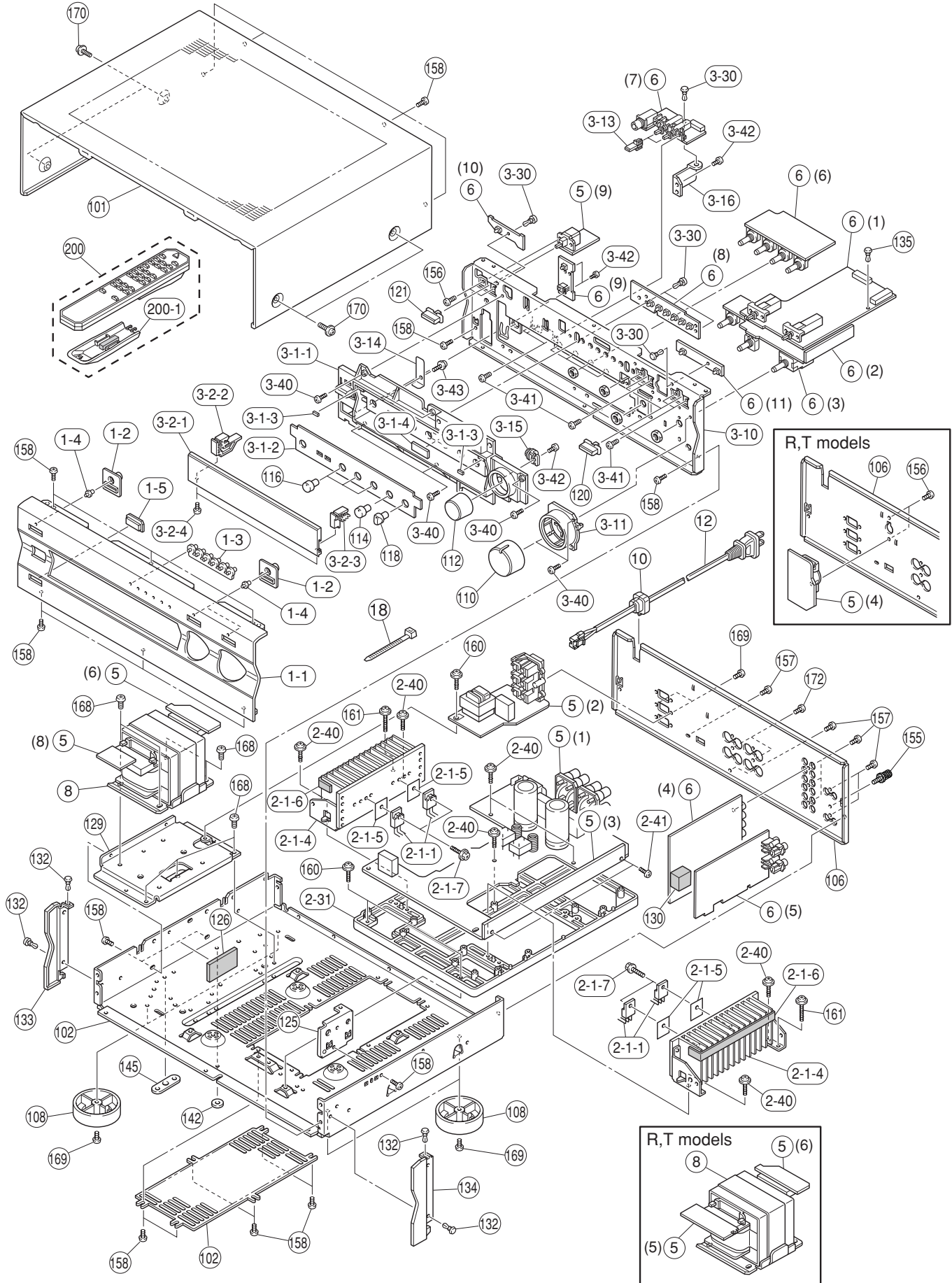
* New Parts

Schm Ref.	PART NO.	Description		Rank
-----------	----------	-------------	--	------

* New Parts

AX-496

EXPLODED VIEW (AX-496)



MECHANICAL PARTS

AX-496

Ref. No.	PART NO.	Description	Remarks	Markets
*	1- 1	V4595400 FRONT PANEL	BL	
*	1- 1	V4595500 FRONT PANEL	TI	
*	1- 1	V4595600 FRONT PANEL	GD	
*	1- 2	V4598400 ESCUTCHON, 5/22	BL	
*	1- 3	V4598800 LENS, 6P		
*	1- 4	V4598900 LENS, 1P		
	1- 5	VV185700 LENS, FILTER	7x24	
#	2-1-1	VV857800 PAIR TRANSISTOR	2SA1492/C3856 OPY	Q521,Q526
	2-1-4	VV903800 HEAT SINK ASS'Y		
	2-1-5	VV849300 SHEET	19x24	
	2-1-6	VP922500 DAMPER	2x10x170	
	2-1-7	VK173200 SCREW, TRANSISTOR	3x15 SP FCM3	
	2-31	VS586500 CHASSIS		
*	2-40	VB770200 PW HEAD P-TITE SCREW	3x10-8 FCM3	
	2-41	EG330030 BIND HEAD SCREW	3x6 FCRM3-BL	
*	3-1-1	V4596500 SUB PANEL	BL	
*	3-1-1	V4596600 SUB PANEL	TI	
*	3-1-1	V4596700 SUB PANEL	GD	
*	3-1-2	V4598500 PLATE, SP	BL	
*	3-1-2	V4598600 PLATE, SP	TI	
*	3-1-2	V4598700 PLATE, SP	GD	
	3-1-3	VY940400 CUSHION, LID	T=0.8	
*	3-1-4	VS699700 DAMPER	SIDE	
*	3-2-1	V4596200 PANEL, LID	BL	
*	3-2-1	V4596300 PANEL, LID	TI	
*	3-2-1	V4596400 PANEL, LID	GD	
*	3-2-2	V4596800 HINGE, LID L	BL	
*	3-2-2	V4596900 HINGE, LID L	TI	
*	3-2-2	V4597000 HINGE, LID L	GD	
*	3-2-3	V4597100 HINGE, LID R	BL	
*	3-2-3	V4597200 HINGE, LID R	TI	
*	3-2-3	V4597300 HINGE, LID R	GD	
	3-2-4	VD435300 BIND HEAD P-TITE SCREW	2.6x8 FCRM3-BL	
*	3-10	V4592800 SUB CHASSIS		
	3-11	V2467900 ESCUTCHEON, VOL	BL	
	3-11	V2468000 ESCUTCHEON, VOL	TI	
	3-11	V2468100 ESCUTCHEON, VOL	GD	
	3-13	V2918800 BUTTON	3x8	BL
	3-13	V2918900 BUTTON	3x8	TI
	3-13	V4562700 BUTTON	3x8	GD
*	3-14	V4593300 SPRING, LID		
	3-15	V2113300 DAMPER, GEAR		
*	3-16	V5274500 SUPPORT, PH		
	3-30	VQ368500 PUSH RIVET	P3545-B	
	3-40	EP600830 BIND HEAD B-TITE SCREW	3x8 FCRM3-BL	
	3-41	EG330030 BIND HEAD SCREW	3x6 FCRM3-BL	
	3-42	EP630220 BIND HEAD P-TITE SCREW	3x8 ZMC2-BL	
	3-43	VT669300 PW HEAD B-TITE SCREW	3x8-8 MFC2	
*	5	V5012200 P.C.B. ASS'Y	MAIN	(RT)
*	5	V5012300 P.C.B. ASS'Y	MAIN	(B)
*	5	V5012400 P.C.B. ASS'Y	MAIN	(G)
*	6	V5012600 P.C.B. ASS'Y	FUNCTION	
*	8	XT064B00 POWER TRANSFORMER	BL, TI	(G)

* New Parts

AX-496

Ref. No.	PART NO.	Description	Remarks	Markets
*	8	XY163A00 POWER TRANSFORMER	BL	(RT)
	10	V2438700 CORD STOPPER	'10P1	
	12	VN363700 POWER CORD ASS'Y		(G)
	12	VV437300 POWER CORD ASS'Y		(B)
	12	VZ542500 POWER CORD ASS'Y		(RT)
	18	VU590000 BINDING TIE	CBTD001B	
	101	VV121300 TOP COVER	BL	
	101	VV121500 TOP COVER	TI	
	101	VZ884500 TOP COVER	GD	
	102	VY758300 CHASSIS		
*	106	V4593500 REAR PANEL		(RT)
*	106	V4593800 REAR PANEL		(B)
*	106	V4593900 REAR PANEL		(G)
	108	V0042500 LEG	D60xH21	GD
	108	VS025000 LEG	D60xH21	
	110	V4172900 KNOB D40		BL
*	110	V4173000 KNOB D40		TI
	110	V4173100 KNOB D40		GD
	112	V4172600 KNOB D30 ENC		BL
*	112	V4172700 KNOB D30 ENC		TI
	112	V4172800 KNOB D30 ENC		GD
*	114	V4729300 KNOB, L		BL
*	114	V4729400 KNOB, L		TI
*	114	V4729500 KNOB, L		GD
*	116	V4728700 KNOB, L		BL
*	116	V4728800 KNOB, L		TI
*	116	V4728900 KNOB, L		GD
	118	VT275100 KNOB	D12R	BL
	118	VT275200 KNOB	D12R	TI
	118	VZ891400 KNOB	D12R	GD
*	120	V4598100 BUTTON, 5/22		BL
*	120	V4598200 BUTTON, 5/22		TI
*	120	V4598300 BUTTON, 5/22		GD
*	121	V5088600 BUTTON, 5/22 P		BL
*	121	V5088800 BUTTON, 5/22 P		TI
*	121	V5088900 BUTTON, 5/22 P		GD
*	125	V4747100 SUPPORT/INPUT		
*	126	V4780900 DAMPER	4/30/50	
*	129	V4593000 FRAME, TRANSFORMER		
	130	VQ861500 CUSHION	SHEET	
	132	VQ368600 PUSH RIVET	P3555-B	
*	133	V4597400 PLATE SIDE L		BL
*	133	V4597500 PLATE SIDE L		TI
*	133	V4597600 PLATE SIDE L		GD
*	134	V4597700 PLATE SIDE R		BL
*	134	V4597800 PLATE SIDE R		TI
*	134	V4597900 PLATE SIDE R		GD
	135	VQ368500 PUSH RIVET	P3545-B	
	142	VU984400 RING	D14	
*	145	V5247600 DAMPER		
	155	AA627310 GROUND TERMINAL		
	156	EG330030 BIND HEAD SCREW	3x6 FCRM3-BL	
	157	VN413300 BIND HEAD BONDING B-T. SCREW	3x8 MFZN2-BL	

* New Parts

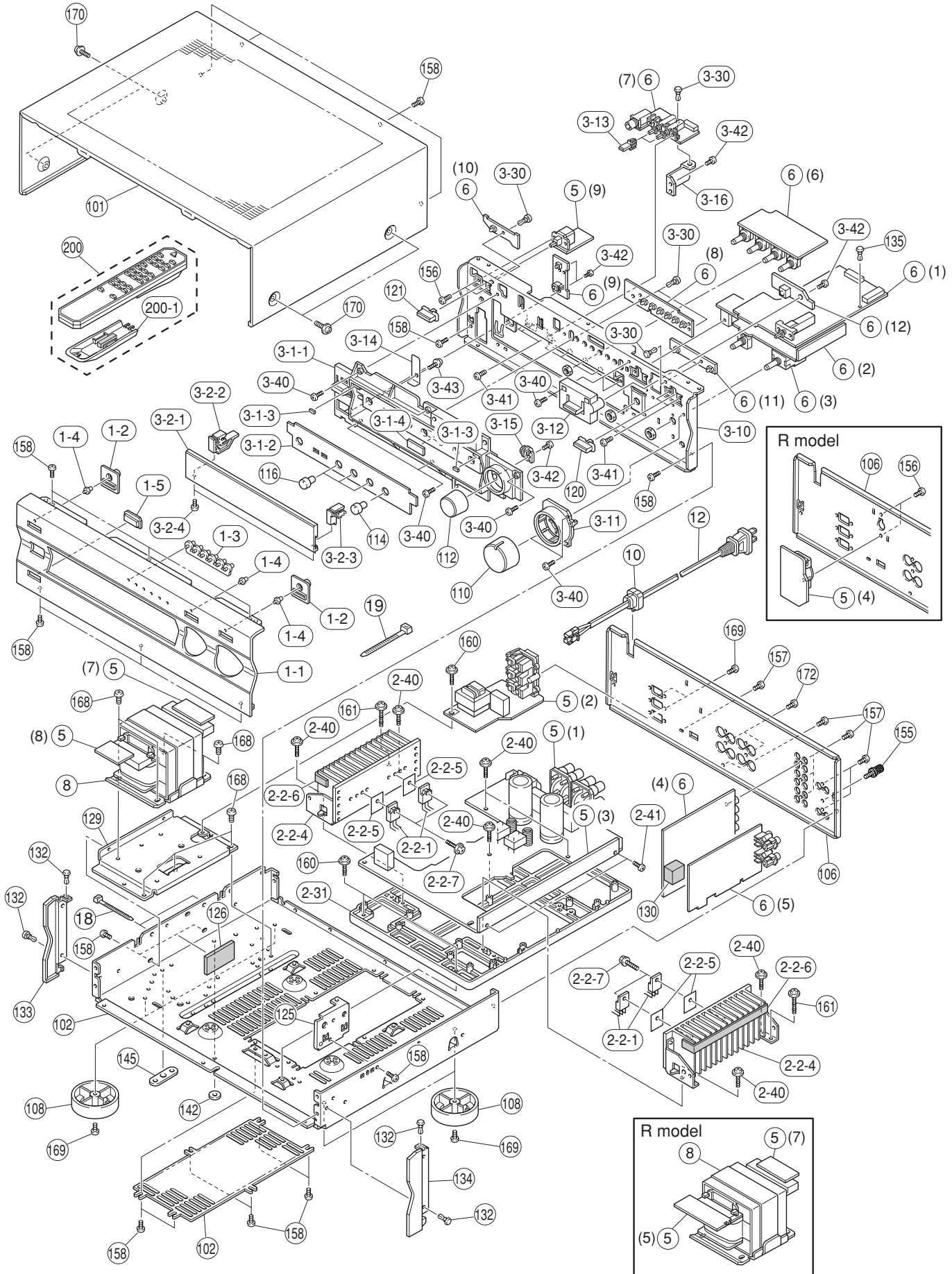
AX-496

Ref. No.	PART NO.	Description	Remarks	Markets
158	EP600830	BIND HEAD B-TITE SCREW	3x8 FCRM3-BL	
160	VT669300	PW HEAD B-TITE SCREW	3x8-8 MFC2	
161	VT669400	PW HEAD B-TITE SCREW	3x15-8 MFC2	
168	V2728500	BIND HEAD S-TITE SCREW	4x7 MFZN2-BL	
169	EP600250	BIND HEAD B-TITE SCREW	3x8 ZMC2-Y	
170	21991500	PW HEAD S-TITE SCREW	4x8-10 FCRM3-BL	BL
170	VD069600	PW HEAD S-TITE SCREW	4x8-10 MFNI-33	GD
170	VH313200	BW HEAD S-TITE SCREW	4x8-10 FNM3-BL	TI
172	VY731200	BONDING HEAD TAPPING SCREW	3x10 MFNI33	
		ACCESSORIES		
* 200	V4999200	REMOTE CONTROL TRANSMITTER	RC7060-01-0004	
200-1	AAX13340	LID	BLJYE	60050001
		BATTERY, MANGANESE	SUM-3,AA,R06	

* New Parts

AX-396

EXPLODED VIEW (AX-396)



AX-396

Ref. No.	PART NO.	Description	Remarks	Markets	Rank
*	1- 1	V4595700	FRONT PANEL	BL	
*	1- 1	V4595900	FRONT PANEL	TI	
*	1- 1	V4596000	FRONT PANEL	GD	
*	1- 2	V4598400	ESCUTCHON, 5/22	BL	
*	1- 3	V4598800	LENS, 6P		
*	1- 4	V4598900	LENS, 1P		
	1- 5	VV185700	LENS, FILTER	7x24	
#	2-2-1	VV586400	PAIR TRANSISTOR	2SA1695/C4468 OPY	Q521,Q526
*	2-2-4	V5111900	HEATSINK ASSY		
	2-2-5	VV849300	SHEET	19x24	01
	2-2-6	VP922500	DAMPER	2x10x170	01
	2-2-7	VK173200	SCREW, TRANSISTOR	3x15 SP FCM3	01
	2-31	VS586500	CHASSIS		
*	2-40	VB770200	PW HEAD P-TITE SCREW	3x10-8 FCM3	01
	2-41	EG330030	BIND HEAD SCREW	3x6 FCRM3-BL	01
*	3-1-1	V4596500	SUB PANEL	BL	
*	3-1-1	V4596600	SUB PANEL	TI	
*	3-1-1	V4596700	SUB PANEL	GD	
*	3-1-2	V4605200	PLATE, SP	BL	
*	3-1-2	V4605300	PLATE, SP	TI	
*	3-1-2	V4605400	PLATE, SP	GD	
	3-1-3	VY940400	CUSHION, LID	T=0.8	
*	3-1-4	VS699700	DAMPER	SIDE	
*	3-2-1	V4596200	PANEL, LID	BL	
*	3-2-1	V4596300	PANEL, LID	TI	
*	3-2-1	V4596400	PANEL, LID	GD	
*	3-2-2	V4596800	HINGE, LID L	BL	
*	3-2-2	V4596900	HINGE, LID L	TI	
*	3-2-2	V4597000	HINGE, LID L	GD	
*	3-2-3	V4597100	HINGE, LID R	BL	
*	3-2-3	V4597200	HINGE, LID R	TI	
*	3-2-3	V4597300	HINGE, LID R	GD	
	3-2-4	VD435300	BIND HEAD P-TITE SCREW	2.6x8 FCRM3-BL	01
*	3-10	V4592800	SUB CHASSIS		
	3-11	V2467900	ESCUTCHEON, VOL	BL	
	3-11	V2468000	ESCUTCHEON, VOL	TI	
	3-11	V2468100	ESCUTCHEON, VOL	GD	
*	3-12	V4599000	BUTTON, TAPE	BL	
*	3-12	V4599100	BUTTON, TAPE	TI	
*	3-12	V4599200	BUTTON, TAPE	GD	
	3-13	V2918800	BUTTON	3x8	BL
	3-13	V2918900	BUTTON	3x8	TI
	3-13	V4562700	BUTTON	3x8	GD
*	3-14	V4593300	SPRING, LID		
	3-15	V2113300	DAMPER, GEAR		
*	3-16	V5274500	SUPPORT, PH		
	3-30	VQ368500	PUSH RIVET	P3545-B	01
	3-40	EP600830	BIND HEAD B-TITE SCREW	3x8 FCRM3-BL	01
	3-41	EG330030	BIND HEAD SCREW	3x6 FCRM3-BL	01
	3-42	EP630220	BIND HEAD P-TITE SCREW	3x8 ZMC2-BL	
	3-43	VT669300	PW HEAD B-TITE SCREW	3x8-8 MFC2	
*	5	V5011700	P.C.B. ASS'Y	MAIN	(J)
*	5	V5011800	P.C.B. ASS'Y	MAIN	(R)

* New Parts

AX-396

Ref. No.	PART NO.	Description	Remarks	Markets	Rank	
*	5	V5011900	P.C.B. ASS'Y	MAIN	(A)	
*	5	V5012000	P.C.B. ASS'Y	MAIN	(B)	
*	5	V5012100	P.C.B. ASS'Y	MAIN	(G)	
*	6	V5012500	P.C.B. ASS'Y	FUNCTION		
*	8	XU441B00	POWER TRANSFORMER		(J)	
*	8	XU442C00	POWER TRANSFORMER		(R)	
	8	XU443B00	POWER TRANSFORMER		(BG)	
*	8	XY162A00	POWER TRANSFORMER		(A)	
	10	V2438700	CORD STOPPER	'10P1		
	12	V4007600	POWER CORD ASS'Y		(J)	
	12	V2296800	POWER CORD ASS'Y		(A)	
	12	VN363700	POWER CORD ASS'Y		(G)	
	12	VV437300	POWER CORD ASS'Y		(B)	
	12	VZ542500	POWER CORD ASS'Y		(R)	
	18	VU590000	BINDING TIE	CBTD001B		
	19	CB836200	BINDING TIE	S-70B		02
	101	VV121300	TOP COVER	BL		
	101	VV121500	TOP COVER	TI		
	101	VZ884500	TOP COVER	GD		
	102	VY758300	CHASSIS			
*	106	V4594200	REAR PANEL		(J)	
*	106	V4594500	REAR PANEL		(R)	
*	106	V4594700	REAR PANEL		(A)	
*	106	V4594800	REAR PANEL		(B)	
*	106	V4594900	REAR PANEL		(G)	
	108	V0042500	LEG	D60xH21	GD	
	108	VS025000	LEG	D60xH21		
	110	V4172900	KNOB D40		BL	
*	110	V4173000	KNOB D40		TI	
	110	V4173100	KNOB D40		GD	
	112	V4172600	KNOB D30 ENC		BL	
*	112	V4172700	KNOB D30 ENC		TI	
	112	V4172800	KNOB D30 ENC		GD	
*	114	V4729300	KNOB, L		BL	
*	114	V4729400	KNOB, L		TI	
*	114	V4729500	KNOB, L		GD	
*	116	V4728700	KNOB, L		BL	
*	116	V4728800	KNOB, L		TI	
*	116	V4728900	KNOB, L		GD	
*	120	V4598100	BUTTON, 5/22		BL	
*	120	V4598200	BUTTON, 5/22		TI	
*	120	V4598300	BUTTON, 5/22		GD	
*	121	V5088600	BUTTON, 5/22 P		BL	
*	121	V5088800	BUTTON, 5/22 P		TI	
*	121	V5088900	BUTTON, 5/22 P		GD	
*	125	V4747100	SUPPORT, INPUT			
*	126	V4780900	DAMPER	4x30x50		
*	127	V5492700	DAMPER	6x40x90		(J)
*	129	V4593000	FRAME, TRANSFORMER			
	130	VQ861500	CUSHION	SHEET		
	132	VQ368600	PUSH RIVET	P3555-B		01
*	133	V4597400	PLATE SIDE L		BL	
*	133	V4597500	PLATE SIDE L		TI	

* New Parts

AX-396

Ref. No.	PART NO.	Description	Remarks	Markets	Rank
*	133	V4597600	PLATE SIDE L	GD	
*	134	V4597700	PLATE SIDE R	BL	
*	134	V4597800	PLATE SIDE R	TI	
*	134	V4597900	PLATE SIDE R	GD	
	135	VQ368500	PUSH RIVET		01
	142	VU984400	RING		
*	145	V5247600	DAMPER		
	155	AA627310	GROUND TERMINAL		01
	156	EG330030	BIND HEAD SCREW	3x6 FCRM3-BL	01
	157	VN413300	BIND HEAD BONDING B-T. SCREW	3x8 MFZN2-BL	01
	158	EP600830	BIND HEAD B-TITE SCREW	3x8 FCRM3-BL	01
	160	VT669300	PW HEAD B-TITE SCREW	3x8-8 MFC2	
	161	VT669400	PW HEAD B-TITE SCREW	3x15-8 MFC2	
	168	V2728500	BIND HEAD S-TITE SCREW	4x7 MFZN2-BL	
	169	EP600250	BIND HEAD B-TITE SCREW	3x8 ZMC2-Y	01
	170	21991500	PW HEAD S-TITE SCREW	4x8-10 FCRM3-BL	01
	170	VD069600	PW HEAD S-TITE SCREW	4x8-10 MFNI-33	01
	170	VH313200	BW HEAD S-TITE SCREW	4x8-10 FNM3-BL	01
	172	VY731200	BONDING HEAD TAPPING SCREW	3x10 MFNI33	
			ACCESSORIES		
*	200	V4999200	REMOTE CONTROL TRANSMITTER	RC7060-01-0004	
	200-1	AAX13340	LID	BLJYE	60050001
		VH214900	BATTERY, MANGANESE	SUM-3,AA,R06	

* New Parts

Parts List for Carbon Resistors

Value	1/4W Type Part No.	1/6W Type Part No.	Value	1/4W Type Part No.	1/6W Type Part No.
1.0 Ω	HJ35 3100	HF85 3100	10 kΩ	HF45 7100	HF45 7100
1.8 Ω	HJ35 3180	*	11 kΩ	HF45 7110	HF45 7110
2.2 Ω	HJ35 3220	HF85 3220	12 kΩ	HJ35 7120	HF85 7120
3.3 Ω	HJ35 3330	HF85 3330	13 kΩ	HF45 7130	HF45 7130
4.7 Ω	HJ35 3470	HF85 3470	15 kΩ	HF45 7150	HF45 7150
5.6 Ω	HJ35 3560	HF85 3560	18 kΩ	HF45 7180	HF45 7180
10 Ω	HF45 4100	HF45 4100	22 kΩ	HF45 7220	HF45 7220
15 Ω	HJ35 4150	HF85 4150	24 kΩ	HF45 7240	HF45 7240
22 Ω	HF45 4220	HF45 4220	27 kΩ	HJ35 7270	HF85 7270
27 Ω	HJ35 4270	HF85 4270	30 kΩ	HF45 7300	HF45 7300
33 Ω	HF45 4330	HF45 4330	33 kΩ	HF45 7330	HF45 7330
39 Ω	HJ35 4470	HF85 4390	36 kΩ	HF45 7360	HF45 7360
47 Ω	HF45 4470	HF45 4470	39 kΩ	HF45 7390	HF45 7390
56 Ω	HF45 4560	HF45 4560	47 kΩ	HF45 7470	HF45 7470
68 Ω	HF45 4680	HF45 4680	51 kΩ	HF45 7510	HF45 7510
75 Ω	HF45 4750	HF45 4750	56 kΩ	HF45 7560	HF45 7560
82 Ω	HF45 4820	HF45 4820	62 kΩ	HF45 7620	HF45 7620
91 Ω	HF45 4910	HF45 4910	68 kΩ	HF45 7680	HF45 7680
100 Ω	HF45 5100	HF45 5100	82 kΩ	HF45 7820	HF45 7820
110 Ω	HJ35 5110	HF85 5110	91 kΩ	HF45 7910	HF45 7910
120 Ω	HF45 5120	HF45 5120	100 kΩ	HF45 8100	HF45 8100
150 Ω	HF45 5150	HF45 5150	110 kΩ	HF45 8110	HF45 8110
160 Ω	HJ35 5160	*	120 kΩ	HF45 8120	HF45 8120
180 Ω	HF45 5180	HF45 5180	150 kΩ	HF45 8150	HF45 8150
200 Ω	HF45 5200	HF45 5200	180 kΩ	HF45 8180	HF45 8180
220 Ω	HF45 5220	HF45 5220	220 kΩ	HJ35 8220	HF85 8220
270 Ω	HF45 5270	HF45 5270	270 kΩ	HF45 8270	HF45 8270
330 Ω	HF45 5330	HF45 5330	300 kΩ	HF45 8300	HF45 8300
390 Ω	HF45 5390	HF45 5390	330 kΩ	HF45 8330	HF45 8330
430 Ω	HF45 5430	HF45 5430	390 kΩ	HJ35 8390	HF85 8390
470 Ω	HF45 5470	HF45 5470	470 kΩ	HF45 8470	HF45 8470
510 Ω	HF45 5510	HF45 5510	560 kΩ	HJ35 8560	HF85 8560
560 Ω	HF45 5560	HF45 5560	680 kΩ	HJ35 8680	HF85 8680
680 Ω	HF45 5680	HF45 5680	820 kΩ	HJ35 8820	HF85 8820
820 Ω	HF45 5820	HF45 5820	1.0 MΩ	HF45 9100	HF45 9100
910 Ω	HF45 5910	HF45 5910	1.2 MΩ	HJ35 9120	*
1.0 kΩ	HF45 6100	HF45 6100	1.5 MΩ	HJ35 9150	HF85 9150
1.2 kΩ	HF45 6120	HF45 6120	1.8 MΩ	HJ35 9180	HF85 9180
1.5 kΩ	HF45 6150	HF45 6150	2.2 MΩ	HJ35 9220	HF85 9220
1.8 kΩ	HF45 6180	HF45 6180	3.3 MΩ	HJ35 9330	HF85 9330
2.0 kΩ	HJ35 6200	HF85 6200	3.9 MΩ	HJ35 9390	*
2.2 kΩ	HF45 6220	HF45 6220	4.7 MΩ	HJ35 9470	HF85 9470
2.4 kΩ	HJ35 6240	HF85 6240			
2.7 kΩ	HF45 6270	HF45 6270			
3.0 kΩ	HF45 6300	HF45 6300			
3.3 kΩ	HF45 6330	HF45 6330			
3.6 kΩ	HJ35 6360	HF85 6360			
3.9 kΩ	HF45 6390	HF45 6390			
4.7 kΩ	HF45 6470	HF45 6470			
5.1 kΩ	HF45 6510	HF45 6510			
5.6 kΩ	HF45 6560	HF45 6560			
6.8 kΩ	HF45 6680	HF45 6680			
8.2 kΩ	HF45 6820	HF45 6820			
9.1 kΩ	HF45 6910	HF45 6910			

1/4W Type

1/4W Type
HF45○○○○

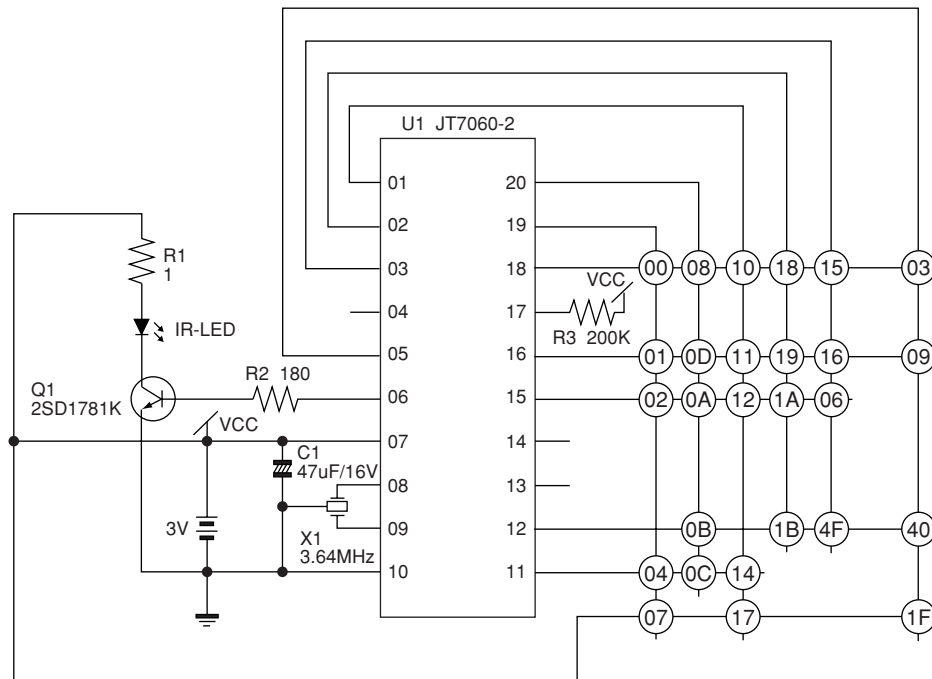
1/6W Type
HF85○○○○

1

REMOTE CONTROL TRANSMITTER

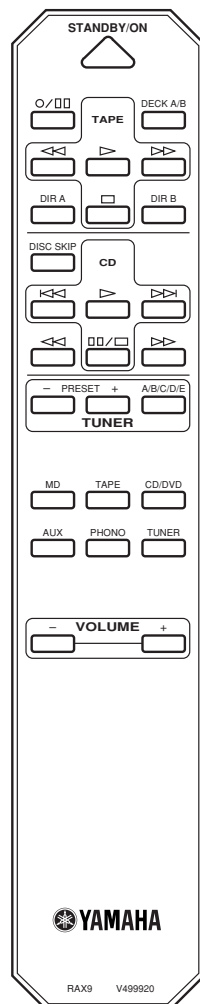
SCHEMATIC DIAGRAM

2



3

4



5

Function	HEX	
	CUSTOM	DATA
PLAY (TAPE) ▷	7A	00
REWIND (TAPE) ◀◀	7A	01
FORWARD (TAPE) ▷▷	7A	02
STOP (TAPE) □	7A	03
REC/PAUSE ○/□□	7A	04
DECK A/B	7A	06
DIR A	7A	07
PLAY (CD) ▷	7A	08
PAUSE/STOP (CD) □□/□	7A	09
PRESET + (TUNER)	7A	10
PRESET - (TUNER)	7A	11
A/B/C/D/E (TUNER)	7A	12
PHONO	7A	14
CD/DVD	7A	15
TUNER	7A	16
AUX	7A	17
TAPE	7A	18
MD	7A	19
DIR B	7A	40
FORWARD SKIP (CD) ▷▷	7A	0A
BACKWARD SKIP (CD) ◀◀	7A	0B
FORWARD SEARCH (CD) ▷▷	7A	0C
BACKWARD SEARCH (CD) ◀◀	7A	0D
VOLUME +	7A	1A
VOLUME -	7A	1B
STANDBY/ON	7A	1F
DISC SKIP ◻/	7A	4F

6

7

AX-396/496

